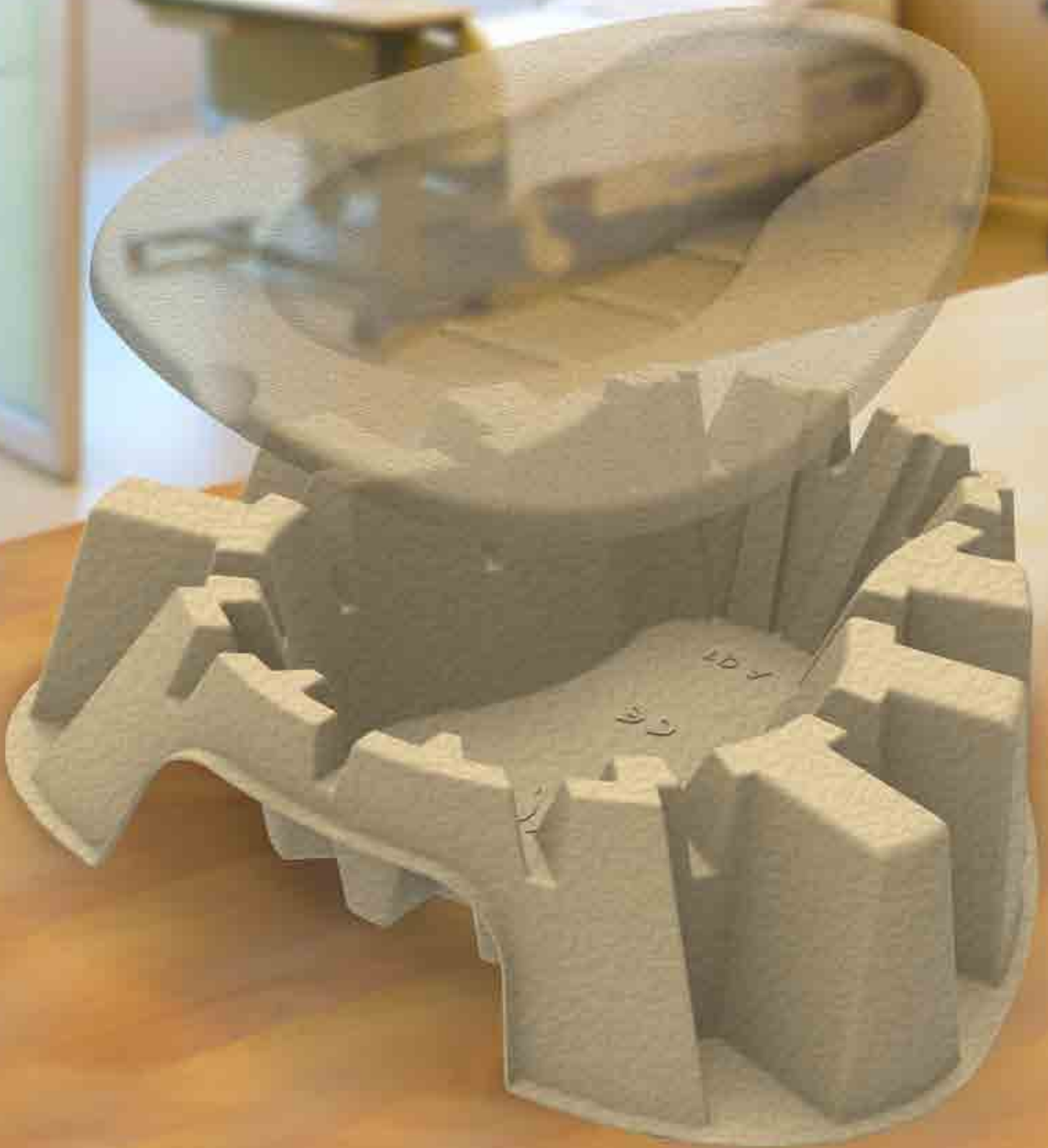


Support for Bedpan Liner 100kg





This single-use disposable Bed Pan Support is used in conjunction with bedpan liner, allows user with maximum load of 100kg to sit on. It replaces traditional plastic bedpan support which requires disinfection after each use.

This eco-friendly bedpan support is made from recycling biodegradable waste paper and has water retention capability of at least 4 hours!

It is manufactured in accordance with PAS29:1999 standard and can be disposed into any macerators or appropriate waste bins.

Suitable for use



Hospitals



Nursing Homes



Personal Use

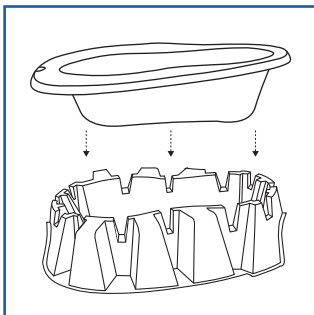


Medical Clinics

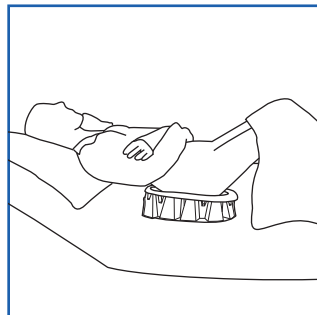


Disability Homes

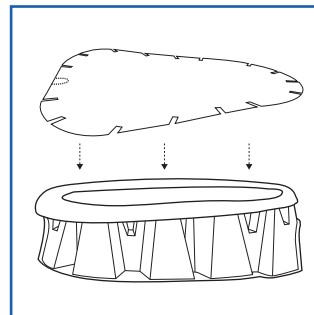
User Guide for Bedpan Support usage



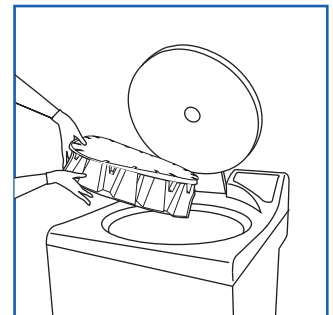
1. Place bedpan liner over the Bedpan Support.



2. Slide the bedpan under the user.



3. Remove the bedpan from the user, cover it with lid cover.



4. Dispose of contents, lid & bedpan support into the macerator or appropriate bin.



Maximum Load
< 100kg



Stackable



Macerator Friendly



Eco Friendly



Waste Recycling

PRODUCT INFORMATION

Bed Pan Support

DIMENSION

360 x 324 x 95 mm

PACKAGING

50 pcs per carton

PRODUCT CODE

BPS2000



Manufactured in accordance with PAS29:1999
Disposable Pulp Products For Use in Healthcare