

General Purpose Pot 2 Litre





The General Purpose Pot with 2 litres capacity is ideal for filling liquid or as container to collect urine drained off from the urine bags. It comes with ergonomic supporting structures on both ends of the pot for handling purpose with better grip.

The graduation markings within the pot provides easy reading of liquid volume within the pot. This eco-friendly general purpose pot is made from recycling biodegradable waste paper and has water retention capability of at least 4 hours!

It is manufactured in accordance with PAS29:1999 standard and can be disposed into any macerators or appropriate waste bins.

Suitable for use



Hospitals



Nursing Homes



Personal Use

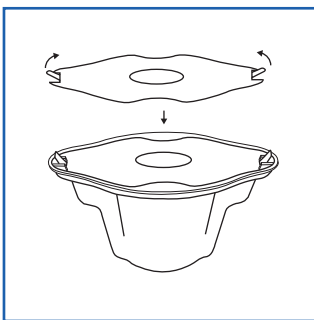


Medical Clinics

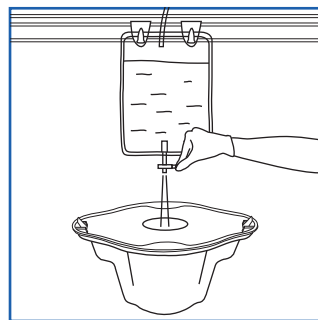


Child Care Centres

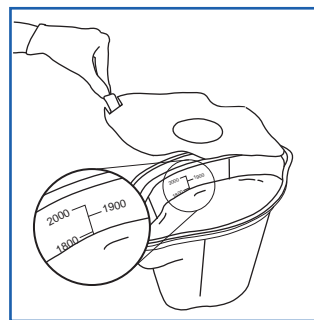
User Guide for Draining Urine Bag



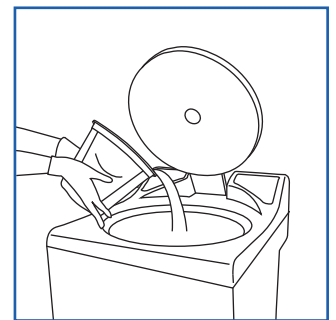
1. Place lid over general purpose pot



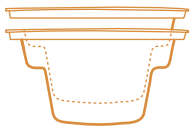
2. Place general purpose pot under urinal bag. Drain urine through lid hole to prevent splashes.



3. If require, remove lid to measure contents from graduated markings.



4. Dispose of contents, lid & general purpose pot into macerator or appropriate waste bin.



Stackable



Water Retention
> 4hr



Macerator Friendly



Eco Friendly



Waste Recycling

PRODUCT INFORMATION

General Purpose Pot 2 Litre
Lid for GPP2000

DIMENSION

294 x 172 x 144 mm
278 x 145 x 0.5 mm

PACKAGING

100 pcs per carton
200 pcs per carton

PRODUCT CODE

GPP2000
LGP2000



Manufactured in accordance with PAS29:1999
Disposable Pulp Products For Use in Healthcare