



Inside

ELECTRIC PATIENT
TRANSFER STRETCHER



STRETCHER



Frequent usage

Emergency room
Patient transport

TECHNOLOGY & FUNCTIONALITY

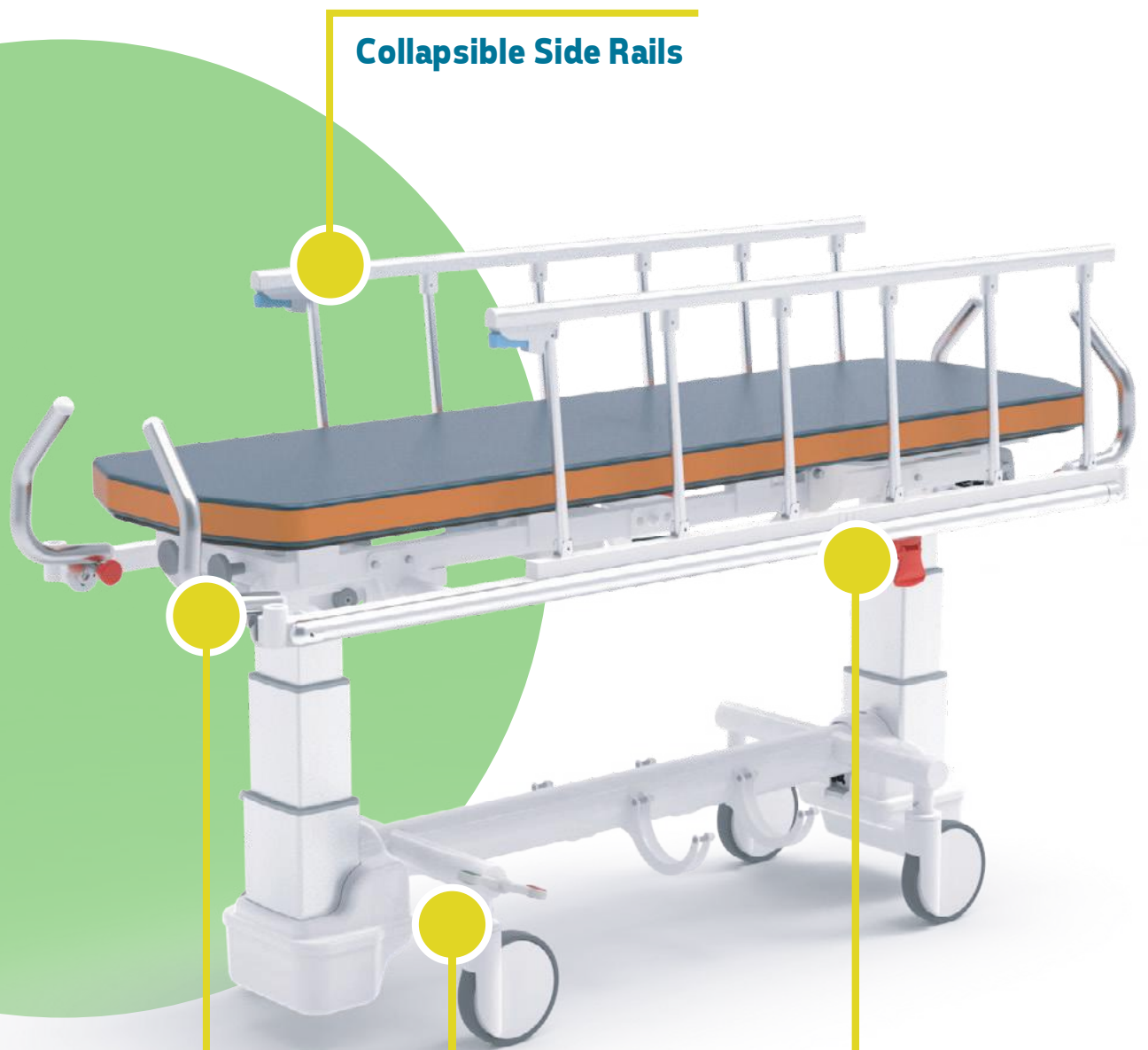
multifunctional device
for specialist activities



www.neuindustries.com



Standard features



Collapsible Side Rails

Ergonomic Push Handles
positioned both
at head and
foot end

**Central Lock with
Directional Steering**

**Manual CPR
Release**



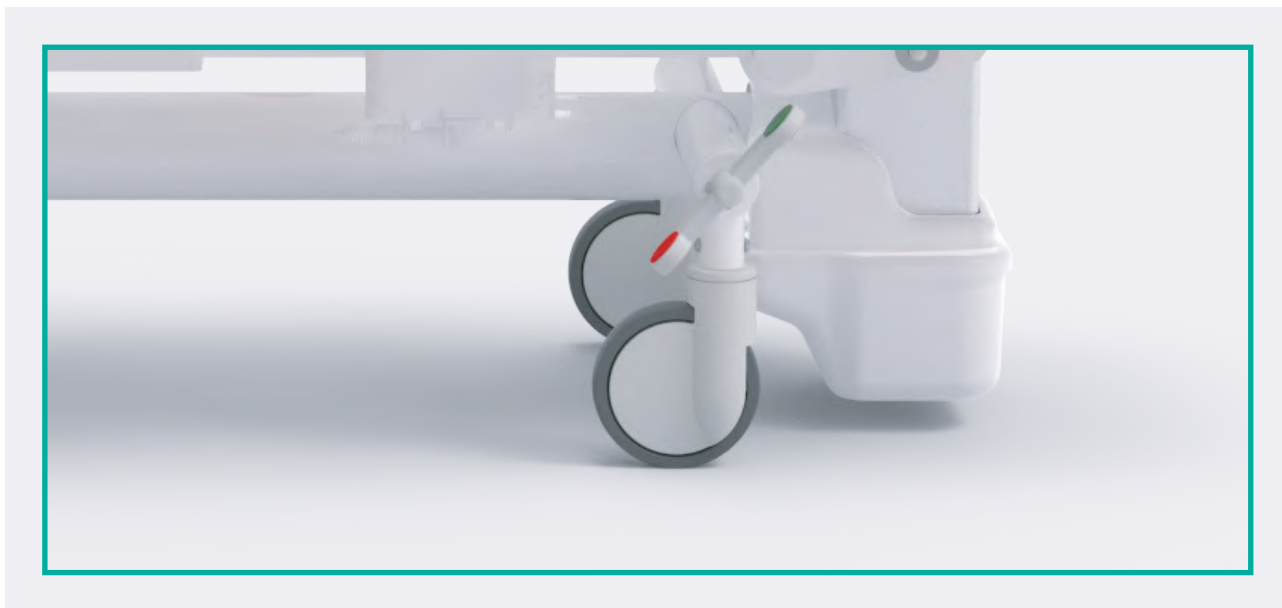
Standard features

- Anti-tilt and non-deformable frame coated in thermosetting and bacterial powders.
- 2-section patient surface in High Pressure Laminate (HPL).
- Electric height adjustment of 400 mm.
- Electric Trendelenburg and reverse Trendelenburg through telescopic column with rectangular section.
- Manual CPR control lever to raise and lower gas-spring operated backrest. Electric control is available upon request.
- Collapsible Side Rails on either side (ACB3).
- 4 x \varnothing 200 mm antistatic stainless swivel castors(ACB14) with central locking brake and directional steering (AC7L2G).
- 4 x Ergonomic hand grips at head and foot-end of the stretcher for optimal grip and handling during transport (ACB124).
- 4-button handset for height and Trendelenburg adjustments. Handset subject to change depending on configuration.
- Side-mounted bumpers along the length of the stretcher.
- 80 mm height High density expanded foam mattress. 100 mm height mattress available upon request.
- Upholstery: Anti-Bacterial properties, flame retardant class 11M, antimicrobial, ecologic, latex-free, phthalate-free. Resistant to alcohol: sodium hydroxide max 5%, a wide range of commonly used detergents, liquids and other biological fluids (AC87/1).
- Powered with 4.5A quick-change battery (n°2 as standard equipment). Features a power cable for fixed positions.
- 4 x slots for IV pole (AC4LS).
- Oxygen Tank Holder (AC50L).



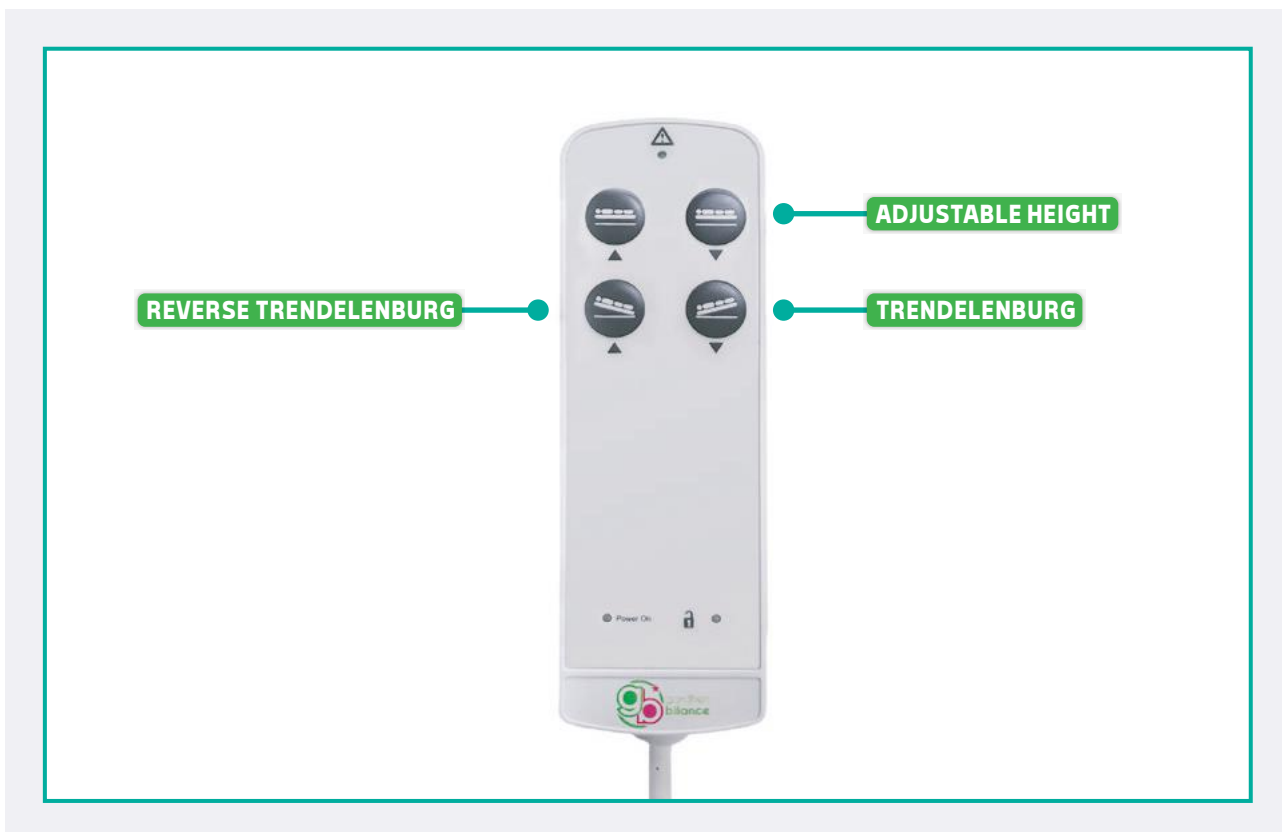
Braking system

Centralized directional braking system made out of galvanized steel, it can be activated through bilateral pedals (AC7L2G).



4 buttons handset

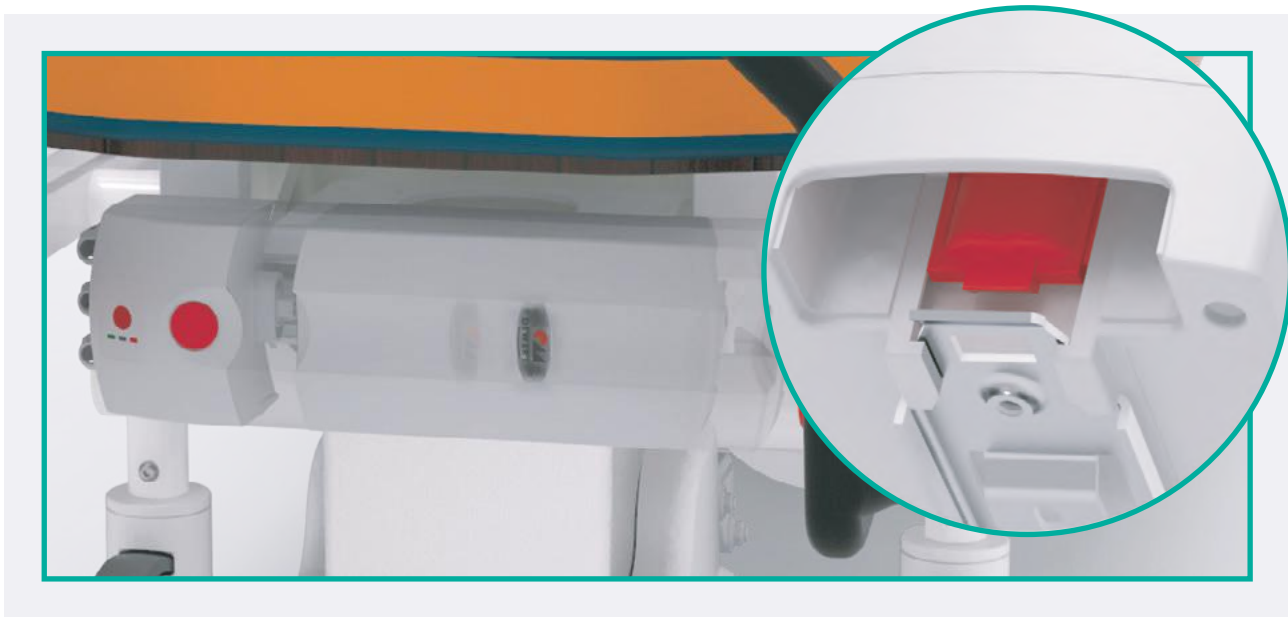
Couch's movements are controlled by a handset with a 3.5 m coiled cable; For patient's safety, an inhibition key is provided with the handset (AC34L). The handset is user friendly and has visual pictograms for partially sighted persons. Insulation IP66.





Exchangeable batteries with quick coupling

The batteries are quickly interchangeable thanks to a quick coupling. Very useful in those moments when the battery is discharged while the stretcher is employed in medical procedure.



Batteries with table top charger

2 x 4.5 A batteries with convenient external charger (AC17P/A).





Movements



TRENDELENBURG



REVERSE TRENDELENBURG



Movements

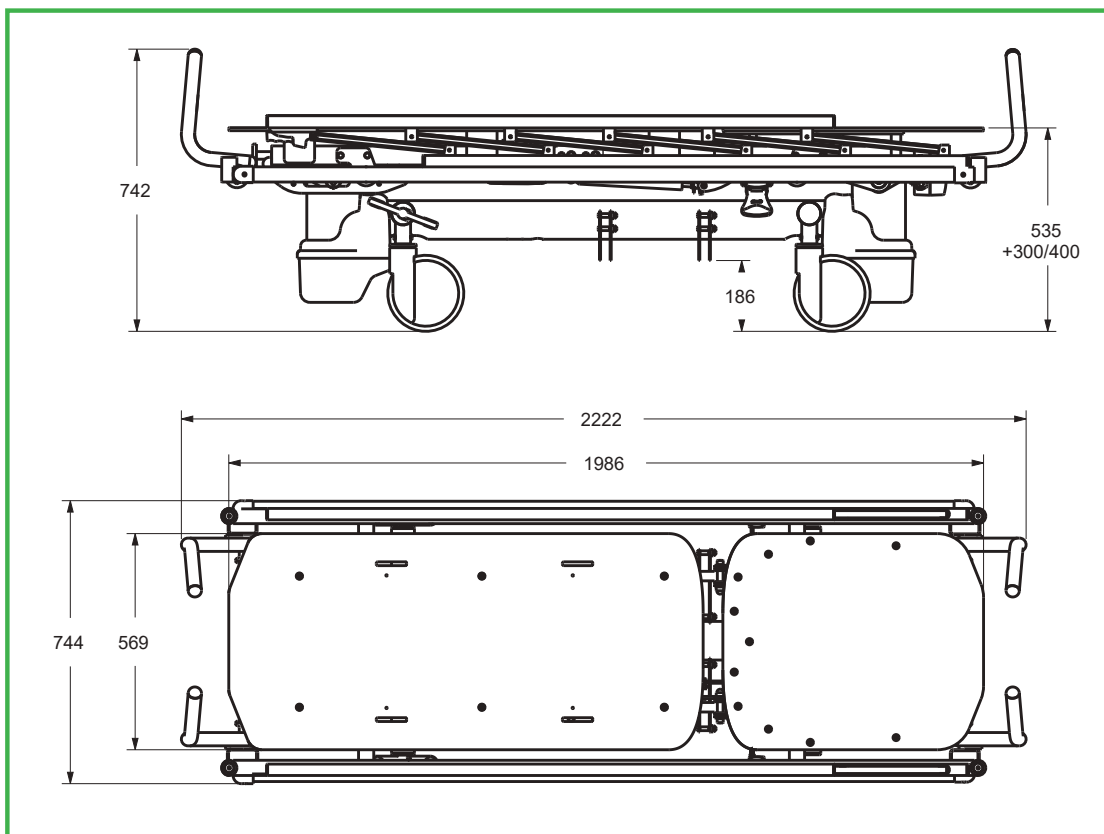


ADJUSTABLE HEIGHT



ADJUSTABLE BACKREST

Dimensions



Technical Specifications

Overall Dimensions	L2222 x W744 x H742 to 1042 mm
Patient Surface Area	L1986 x W569 mm
Patient Height	535 to 835 mm
Backrest Adjustment	0° to 70°
Legrest Adjustment	0° to 20°
Trendelenburg	0° to 12°
Reverse Trendelenburg	0° to 12°
Overall weight	140 kg
Controls	Handset with inhibition key
Battery	4.5 A, Rechargeable
Power	100-240 Vac 50 / 60 Hz
Wheels	4 x Ø 200 mm castors with directional braking system
Electric motors	Low voltage (24 V)
Max electrical input	460 VA
Insulation	IP44
Maximum load	Standard 200 kg / Bariatric 300 kg

NEU Industries Pte Ltd

132 Joo Seng Rd, #04-01, Singapore 368358
 Tel: +65 6817 8969 | Fax: +65 6636 9813
www.neuindustries.com | sales@neuindustries.com



Pictures contained in this brochure are for illustrative purposes only. The manufacturer reserves the right to modify the specifications without notice.