



neu INDUSTRIES  
SAFER • CLEANER • BETTER

# PTFE FLEXIBLE HOSES



# PTFE Hose Types & Fittings

The **SERIES SC** is a super flexible, **Smoothbore Convoluted PTFE** hose that features an internally smooth and externally convoluted structure for uninterrupted flow. Its self-cleaning design makes it suitable for applications where cleanliness is a priority, ensuring easy maintenance and optimal performance even in space-constrained environments.



The **SERIES HC** is a **Heavy-wall Extruded Convoluted PTFE** hose widely used in the process industry. Its self-cleaning design and unique lining through the fittings ensure uninterrupted flow, while the thick walls protect against corrosion from aggressive media. This makes it suitable for use in arduous applications.

- Anti-Kink Guard available: Spiral Guard, Armor Casing, SS Spring.
- 100% tested using re-circulated water and withstand the specific pressure without leaking, cracking, distorting, or any other signs of failure.
- Compliance to EN 10204 test certification and ISO 9001:2015

## Braids and Covers

- Tube Only
- Polypropylene (PP) or Stainless-Steel (SS) Braid
- Armour Guard or Spiral Guard
- Rubber Cover
- Hastelloy
- Kynar
- Silicone

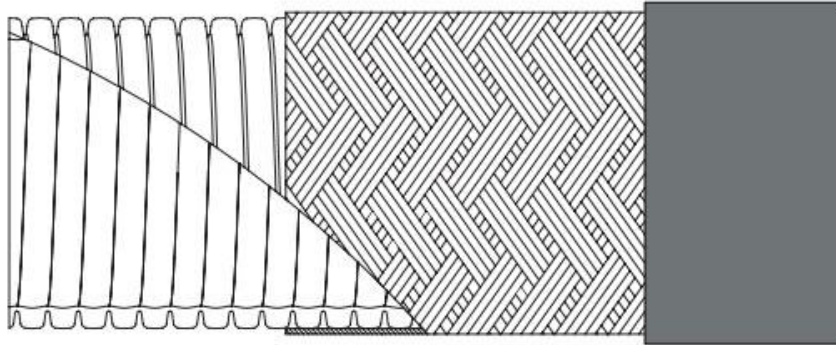
## End Fittings

- Flare-Thru Swivel End Flanges - ASA 150 & 300, PN10/16/40.
- Triclover / Triclamp / Ferrules - 25.0mm, 34.0mm, 50.5mm, 64.0mm, 77.5mm, 91.0mm & 119.0mm - 45°, 90° and custom degree elbows.
- DIN 11851 Female & Male, SAFLOK Camlock Female & Camlock Male, SMS, RJT, BSP FF.
- Customisable to requirements.



# SC Series PTFE Hose w Stainless Steel Braid & Silicone Cover

SC - SS/SI



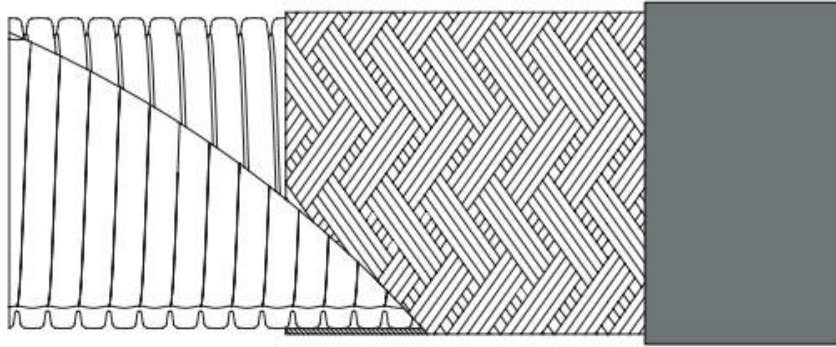
- Design** Smoothbore convoluted PTFE tube with SS 304 / 316 braid and Silicone cover - WHITE / BLUE / YELLOW / RED.
- Inner Layer** Natural (GP) or Anti-static (AS) helically convoluted heavy wall PTFE tube.
- Outer Layer** SS 304 / 316 braid and Silicone cover - WHITE / BLUE / YELLOW / RED. (34 = Stainless Steel 304 Grade / 36 = Stainless Steel 316 Grade)
- Temperature Range** -73°C / +204°C.
- Material** PTFE to : 'ASTM D4895, TYPE 1, GRADE 4, CLASS B' & 'ASTM D4895, TYPE 1, GRADE 3, CLASS B'.

The SC-SS/SI Silicone cover enables the hose to be cleaned externally adding to the hygienic nature of certain applications.

Natural Part No. (GP)	Natural Part No. (AS)	Size (")	ID Nominal (mm)	OD Nominal (mm)	WT (mm)	MBR (mm)	MWP (Bar)	BP (Bar)	Vacuum (mBar)	Weight (kg/m)
PFSC12-GP-SS-34-SI	PFSC12-AS-SS-34-SI	1/2	13.40	21.00	1.60	38.00	60.00	240.00	887.00	0.96
PFSC20-GP-SS-34-SI	PFSC20-AS-SS-34-SI	3/4	19.10	27.00	1.80	50.00	60.00	240.00	887.00	1.12
PFSC22-GP-SS-34-SI	PFSC22-AS-SS-34-SI	7/8	21.00	30.00	2.10	55.00	55.00	220.00	887.00	1.20
PFSC25-GP-SS-34-SI	PFSC25-AS-SS-34-SI	1.00	25.50	34.50	2.20	70.00	50.00	200.00	887.00	1.34
PFSC32-GP-SS-34-SI	PFSC32-AS-SS-34-SI	1.25	31.80	41.50	2.65	100.00	45.00	180.00	887.00	1.60
PFSC40-GP-SS-34-SI	PFSC40-AS-SS-34-SI	1.50	38.10	48.80	3.00	140.00	40.00	160.00	887.00	1.88
PFSC50-GP-SS-34-SI	PFSC50-AS-SS-34-SI	2.00	49.50	61.20	4.00	280.00	30.00	120.00	887.00	2.26

# SC Series PTFE Hose w Stainless Steel Braid & Rubber Cover

## SC - SS/RC



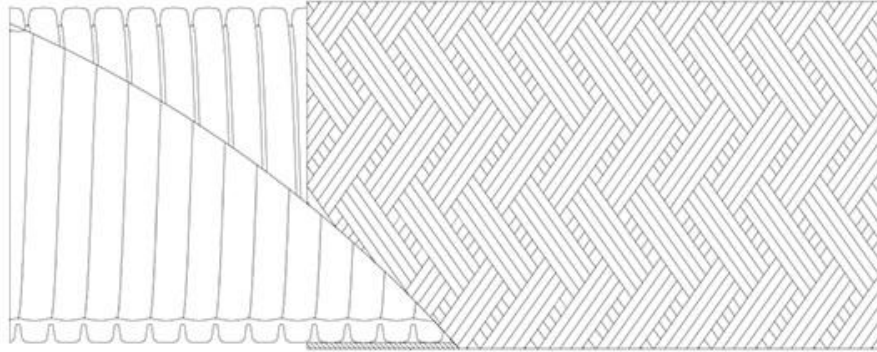
<b>Design</b>	Smoothbore convoluted PTFE tube with SS 304 / 316 braid and vulcanised EPDM rubber cover - BLUE / BLACK.
<b>Inner Layer</b>	Natural (GP) or Anti-static (AS) helically convoluted heavy wall PTFE tube.
<b>Outer Layer</b>	SS 304 / 316 braid and EPDM vulcanised rubber cover - BLUE / BLACK. (34 = Stainless Steel 304 Grade / 36 = Stainless Steel 316 Grade)
<b>Temperature Range</b>	-40°C / +150°C.
<b>Material</b>	PTFE to : 'ASTM D4895, TYPE 1, GRADE 4, CLASS B' & 'ASTM D4895, TYPE 1, GRADE 3, CLASS B'.

The SC-SS/RC Stainless Steel Braid & EPDM rubber cover makes the hose much more rugged for harsh external environments.

Natural Part No. (GP)	Natural Part No. (AS)	Size (")	ID Nominal (mm)	OD Nominal (mm)	WT (mm)	MBR (mm)	MWP (Bar)	BP (Bar)	Vacuum (mBar)	Weight (kg/m)
PFSC12-GP-SS-34-RC	PFSC12-AS-SS-34-RC	1/2	13.40	23.00	1.60	38.00	60.00	240.00	887.00	0.96
PFSC20-GP-SS-34-RC	PFSC20-AS-SS-34-RC	3/4	19.10	29.00	1.80	50.00	60.00	240.00	887.00	1.12
PFSC22-GP-SS-34-RC	PFSC22-GP-SS-34-RC	7/8	21.00	32.00	2.10	55.00	55.00	220.00	887.00	1.20
PFSC25-GP-SS-34-RC	PFSC25-AS-SS-34-RC	1.00	25.50	36.50	2.20	70.00	50.00	200.00	887.00	1.34
PFSC32-GP-SS-34-RC	PFSC32-AS-SS-34-RC	1.25	31.80	43.50	2.65	100.00	45.00	180.00	887.00	1.60
PFSC40-GP-SS-34-RC	PFSC40-AS-SS-34-RC	1.50	38.10	50.80	3.00	140.00	40.00	160.00	887.00	1.88
PFSC50-GP-SS-34-RC	PFSC50-AS-SS-34-RC	2.00	49.50	63.20	4.00	280.00	30.00	120.00	887.00	2.26

# SC Series PTFE Hose w Stainless Steel Braid

SC - SS



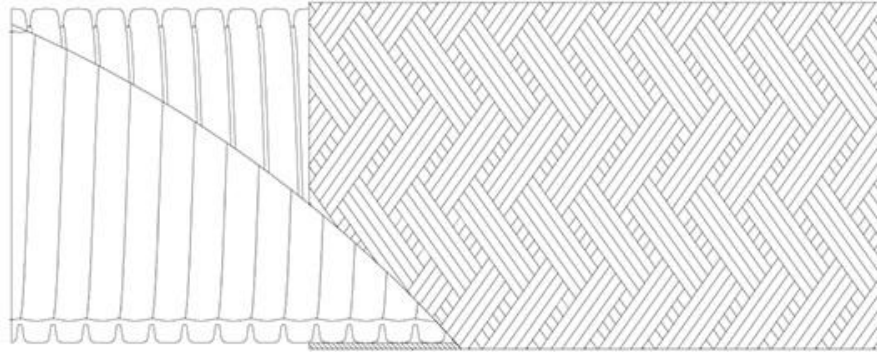
- Design** Smoothbore convoluted PTFE tube with SS 304 / 316 braid.
- Inner Layer** Natural (GP) or Anti-static (AS) helically convoluted heavy wall PTFE tube.
- Outer Layer** SS 304 / 316 braid.  
(34 = Stainless Steel 304 Grade / 36 = Stainless Steel 316 Grade)
- Temperature Range** -60°C / +260°C.
- Material** PTFE to :‘ASTM D4895, TYPE 1, GRADE 4, CLASS B’ & ‘ASTM D4895, TYPE 1, GRADE 3, CLASS B’.

When the application is of higher pressure then a Stainless Steel Braid would be required.

Natural Part No. (GP)	Natural Part No. (AS)	Size (")	ID Nominal (mm)	OD Nominal (mm)	WT (mm)	MBR (mm)	MWP (Bar)	BP (Bar)	Vacuum (mBar)	Weight (kg/m)
PFSC12-GP-SS-34	PFSC12-AS-SS-34	1/2	13.40	18.00	1.60	38.00	60.00	240.00	887.00	0.26
PFSC20-GP-SS-34	PFSC20-AS-SS-34	3/4	19.10	24.10	1.80	50.00	60.00	240.00	887.00	0.42
PFSC22-GP-SS-34	PFSC22-AS-SS-34	7/8	21.00	27.00	2.10	55.00	55.00	220.00	887.00	0.50
PFSC25-GP-SS-34	PFSC25-AS-SS-34	1.00	25.50	31.40	2.20	70.00	50.00	200.00	887.00	0.64
PFSC32-GP-SS-34	PFSC32-AS-SS-34	1.25	31.80	39.30	2.65	100.00	45.00	180.00	887.00	0.90
PFSC40-GP-SS-34	PFSC40-AS-SS-34	1.50	38.10	46.10	3.00	140.00	40.00	160.00	887.00	1.18
PFSC50-GP-SS-34	PFSC50-AS-SS-34	2.00	49.50	58.20	4.00	280.00	30.00	120.00	887.00	1.72

# SC Series PTFE Hose w Polypropylene Braid

## SC - PB



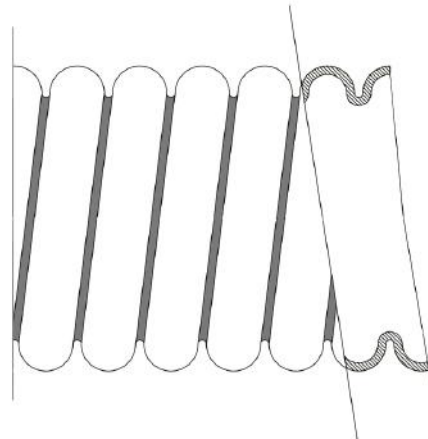
<b>Design</b>	Smoothbore convoluted PTFE tube with Polypropylene Braid - BLUE, YELLOW, WHITE.
<b>Inner Layer</b>	Natural (GP) or Anti-static (AS) helically convoluted heavy wall PTFE tube.
<b>Outer Layer</b>	Polypropylene Braid - BLUE, YELLOW, WHITE.
<b>Temperature Range</b>	-60°C / +90°C.
<b>Material</b>	PTFE to : 'ASTM D4895, TYPE 1, GRADE 4, CLASS B' & 'ASTM D4895, TYPE 1, GRADE 3, CLASS B'.

Polypropylene Braid is ideal for when the application requires low pressure and/or lighter weight hose or if the media being transferred is not compatible with SS 304 / 316 braid.

Natural Part No. (GP)	Natural Part No. (AS)	Size (")	ID Nominal (mm)	OD Nominal (mm)	WT (mm)	MBR (mm)	MWP (Bar)	BP (Bar)	Vacuum (mBar)	Weight (kg/m)
PFSC12-GP-PB	PFSC12-AS-PB	1/2	13.40	20.00	1.60	38.00	10.00	40.00	887.00	0.18
PFSC20-GP-PB	PFSC20-AS-PB	3/4	19.10	25.00	1.80	50.00	10.00	40.00	887.00	0.34
PFSC22-GP-PB	PFSC22-AS-PB	7/8	21.00	28.00	2.10	55.00	10.00	40.00	887.00	0.42
PFSC25-GP-PB	PFSC25-AS-PB	1.00	25.50	32.50	2.20	70.00	10.00	40.00	887.00	0.56
PFSC32-GP-PB	PFSC32-AS-PB	1.25	31.80	39.50	2.65	100.00	10.00	40.00	887.00	0.82
PFSC40-GP-PB	PFSC40-AS-PB	1.50	38.10	46.80	3.00	140.00	10.00	40.00	887.00	1.10
PFSC50-GP-PB	PFSC50-AS-PB	2.00	49.50	59.20	4.00	280.00	10.00	40.00	887.00	1.51

# HC Series PTFE Hose w Vacuum Wire

## HC - VW/TO



<b>Design</b>	Heavy wall convoluted PTFE tube with SS 304 vacuum wire.
<b>Inner Layer</b>	Natural (GP) or Anti-static (AS) helically convoluted heavy wall PTFE tube.
<b>Outer Layer</b>	SS 304 vacuum wire.
<b>Temperature Range</b>	-60°C / +260°C.
<b>Material</b>	PTFE to : 'ASTM D4895, TYPE 1, GRADE 4, CLASS B' & 'ASTM D4895, TYPE 1, GRADE 3, CLASS B'.

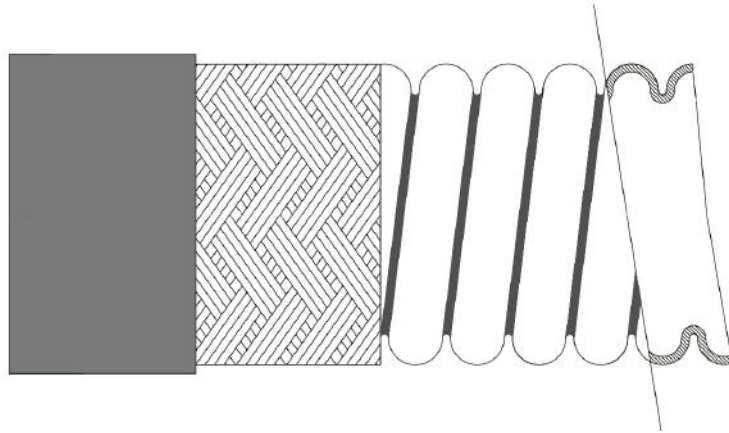
The SS 304 vacuum wire adds strength to the hose whilst also giving vacuum resistance.

Natural Part No. (GP)	Natural Part No. (AS)	Size (")	ID Nominal (mm)	OD Nominal (mm)	WT (mm)	MBR (mm)	MWP (Bar)	BP (Bar)	Vacuum (mBar)	Weight (kg/m)
PFHC06-GP-VW-TO	PFHC-06-AS-VW-TO	1/4	7.00	11.68	0.76	18.00	4.00	16.00	744.00	0.06
PFHC10-GP-VW-TO	PFHC-10-AS-VW-TO	3/8	9.65	14.95	0.76	25.00	4.00	16.00	744.00	0.07
PFHC12-GP-VW-TO	PFHC12-AS-VW-TO	1/2	13.08	17.90	0.89	40.00	4.00	16.00	887.00	0.08
PFHC16-GP-VW-TO	PFHC16-AS-VW-TO	5/8	16.00	21.85	0.89	50.00	3.00	12.00	887.00	0.11
PFHC20-GP-VW-TO	PFHC20-AS-VW-TO	3/4	19.00	26.40	1.00	60.00	3.00	12.00	887.00	0.15
PFHC25-GP-VW-TO	PFHC25-AS-VW-TO	1.00	25.40	35.00	1.20	80.00	3.00	12.00	887.00	0.21
PFHC32-GP-VW-TO	PFHC32-AS-VW-TO	1.25	31.00	41.00	1.20	100.00	2.50	10.00	887.00	0.27
PFHC40-GP-VW-TO	PFHC40-AS-VW-TO	1.50	35.50	45.00	1.60	120.00	2.50	10.00	887.00	0.39
PFHC45-GP-VW-TO	PFHC45-AS-VW-TO	1.75	44.00	55.00	1.60	135.00	2.00	8.00	887.00	0.47
PFHC50-GP-VW-TO	PFHC50-AS-VW-TO	2.00	47.50	58.50	1.60	165.00	2.00	8.00	887.00	0.53
PFHC65-GP-VW-TO	PFHC65-AS-VW-TO	2.50	60.25	76.25	1.60	230.00	1.50	6.00	887.00	0.67
PFHC80-GP-VW-TO	PFHC80-AS-VW-TO	3.00	74.00	92.00	1.60	260.00	1.25	5.00	887.00	0.78
PFHC100-GP-VW-TO	PFHC100-AS-VW-TO	4.00	98.00	121.30	1.82	300.00	1.00	4.00	887.00	1.32
PFHC150-GP-VW-TO	PFHC150-AS-VW-TO	6.00	152.00	181.00	2.50	520.00	1.00	4.00	455.00	3.62

# HC Series PTFE Hose w Vacuum Wire, Stainless Steel Braid & Silicone Cover

## HC - VW/SS/SI

HC SERIES



- Design** Heavy wall convoluted PTFE tube with SS 304 / 316 braid & Silicone cover - WHITE / BLUE / YELLOW / RED.
- Inner Layer** Natural (GP) or Anti-static (AS) helically convoluted heavy wall PTFE tube.
- Outer Layer** SS 304 vacuum wire and SS 304 / 316 braid. Silicone cover - WHITE / BLUE / YELLOW / RED.  
(34 = Stainless Steel 304 Grade / 36 = Stainless Steel 316 Grade)
- Temperature Range** -73°C / +224°C.
- Material** PTFE to : 'ASTM D4895, TYPE 1, GRADE 4, CLASS B' & 'ASTM D4895, TYPE 1, GRADE 3, CLASS B'.

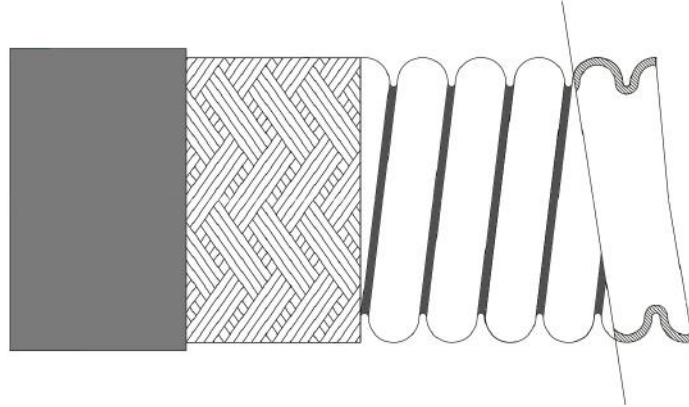
The vacuum wire, SS 304 / 316 braid and Silicone cover enables the hose to be wiped clean externally adding to the hygienic nature of certain applications.

Natural Part No. (GP)	Natural Part No. (AS)	Size (")	ID Nominal (mm)	OD Nominal (mm)	WT (mm)	MBR (mm)	MWP (Bar)	BP (Bar)	Vacuum (mBar)	Weight (kg/m)
PFHC12-GP-VW-SS-34-SI	PFHC12-AS-VW-SS-34-SI	1/2	13.08	20.90	0.89	40.00	45.00	135.00	887.00	0.64
PFHC16-GP-VW-SS-34-SI	PFHC16-AS-VW-SS-34-SI	5/8	16.00	24.85	0.89	50.00	40.00	120.00	887.00	0.66
PFHC20-GP-VW-SS-34-SI	PFHC20-AS-VW-SS-34-SI	3/4	19.00	29.40	1.00	60.00	40.00	120.00	887.00	0.89
PFHC25-GP-VW-SS-34-SI	PFHC25-AS-VW-SS-34-SI	1.00	25.40	39.00	1.20	80.00	35.00	105.00	887.00	1.04
PFHC32-GP-VW-SS-34-SI	PFHC32-AS-VW-SS-34-SI	1.25	31.00	45.00	1.20	100.00	35.00	105.00	887.00	1.18
PFHC40-GP-VW-SS-34-SI	PFHC40-AS-VW-SS-34-SI	1.50	35.50	49.00	1.60	120.00	35.00	105.00	887.00	2.11
PFHC45-GP-VW-SS-34-SI	PFHC45-AS-VW-SS-34-SI	1.75	44.00	59.00	1.60	135.00	25.00	75.00	887.00	2.15
PFHC50-GP-VW-SS-34-SI	PFHC50-AS-VW-SS-34-SI	2.00	47.50	62.50	1.60	165.00	25.00	75.00	887.00	2.21
PFHC65-GP-VW-SS-34-SI	PFHC65-AS-VW-SS-34-SI	2.50	60.25	80.25	1.60	230.00	14.00	42.00	887.00	2.64
PFHC80-GP-VW-SS-34-SI	PFHC80-AS-VW-SS-34-SI	3.00	74.00	96.00	1.60	260.00	12.00	36.00	887.00	3.81
PFHC100-GP-VW-SS-34-SI	PFHC100-AS-VW-SS-34-SI	4.00	98.00	125.30	1.82	300.00	10.00	30.00	887.00	4.55
PFHC150-GP-VW-SS-34-SI	PFHC150-AS-VW-SS-34-SI	6.00	152.00	185.00	2.50	520.00	6.00	18.00	455.00	6.50



# HC Series PTFE Hose w Vacuum Wire, Stainless Steel Braid & Rubber Cover

## HC - VW/SS/RC



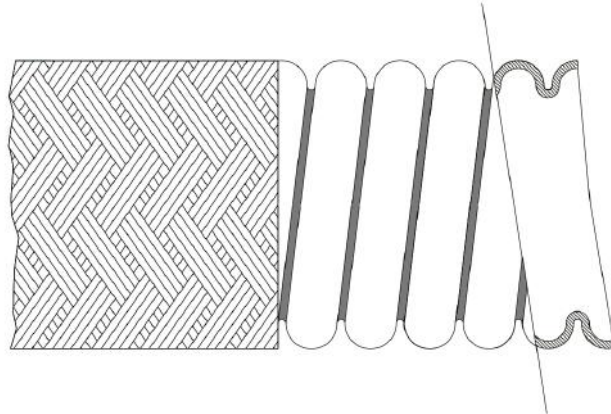
- Design** Heavy wall convoluted PTFE tube with SS 304 / 316 braid & vulcanised EPDM rubber cover - BLUE / BLACK.
- Inner Layer** Natural (GP) or Anti-static (AS) helically convoluted heavy wall PTFE tube.
- Outer Layer** SS 304 vacuum wire and SS 304 / 316 braid. EPDM vulcanised rubber cover - BLUE / BLACK.  
(34 = Stainless Steel 304 Grade / 36 = Stainless Steel 316 Grade)
- Temperature Range** -40°C / +150°C.
- Material** PTFE to :‘ASTM D4895, TYPE 1, GRADE 4, CLASS B’ & ‘ASTM D4895, TYPE 1, GRADE 3, CLASS B’.

The vacuum wire, SS 304 / 316 braid and EPDM Rubber Cover makes the hose much more rugged for harsh environments.

Natural Part No. (GP)	Natural Part No. (AS)	Size (")	ID Nominal (mm)	OD Nominal (mm)	WT (mm)	MBR (mm)	MWP (Bar)	BP (Bar)	Vacuum (mBar)	Weight (kg/m)
PFHC12-GP-VW-SS-34-RC	PFHC12-AS-VW-SS-34-RC	1/2	13.08	24.90	0.89	40.00	45.00	135.00	887.00	0.64
PFHC16-GP-VW-SS-34-RC	PFHC16-AS-VW-SS-34-RC	5/8	16.00	28.85	0.89	50.00	40.00	120.00	887.00	0.66
PFHC20-GP-VW-SS-34-RC	PFHC20-AS-VW-SS-34-RC	3/4	19.00	33.40	1.00	60.00	40.00	120.00	887.00	0.89
PFHC25-GP-VW-SS-34-RC	PFHC25-AS-VW-SS-34-RC	1.00	25.40	42.00	1.20	80.00	35.00	105.00	887.00	1.04
PFHC32-GP-VW-SS-34-RC	PFHC32-AS-VW-SS-34-RC	1.25	31.00	48.00	1.20	100.00	35.00	105.00	887.00	1.18
PFHC40-GP-VW-SS-34-RC	PFHC40-AS-VW-SS-34-RC	1.50	35.50	52.00	1.60	120.00	35.00	105.00	887.00	2.11
PFHC45-GP-VW-SS-34-RC	PFHC45-AS-VW-SS-34-RC	1.75	44.00	62.00	1.60	135.00	25.00	75.00	887.00	2.15
PFHC50-GP-VW-SS-34-RC	PFHC50-AS-VW-SS-34-RC	2.00	47.50	65.50	1.60	165.00	25.00	75.00	887.00	2.21
PFHC65-GP-VW-SS-34-RC	PFHC65-AS-VW-SS-34-RC	2.50	60.25	83.25	1.60	230.00	14.00	42.00	887.00	2.64
PFHC80-GP-VW-SS-34-RC	PFHC80-AS-VW-SS-34-RC	3.00	74.00	99.00	1.60	260.00	12.00	36.00	887.00	3.81
PFHC100-GP-VW-SS-34-RC	PFHC100-AS-VW-SS-34-RC	4.00	98.00	128.30	1.82	300.00	10.00	30.00	887.00	4.55
PFHC150-GP-VW-SS-34-RC	PFHC150-AS-VW-SS-34-RC	6.00	152.00	188.00	2.50	520.00	6.00	18.00	455.00	6.50

# HC Series PTFE Hose w Vacuum Wire & Stainless Steel Braid

## HC - VW/SS



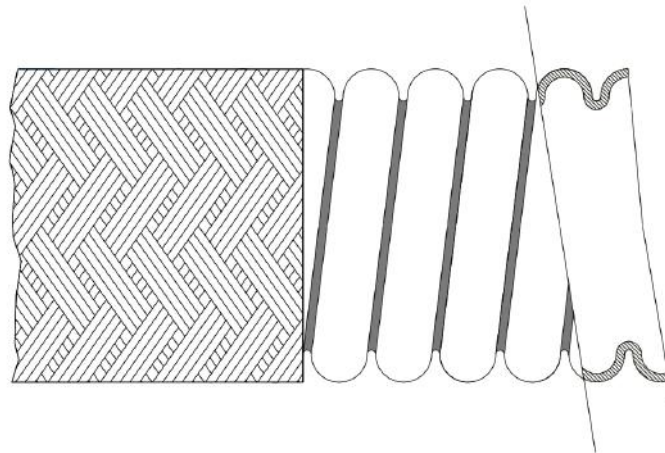
- Design** Heavy wall convoluted PTFE tube with vacuum wire SS 304 / 316 braid.
- Inner Layer** Natural (GP) or Anti-static (AS) helically convoluted heavy wall PTFE tube.
- Outer Layer** SS 304 vacuum wire and SS 304 / 316 braid.  
(34 = Stainless Steel 304 Grade / 36 = Stainless Steel 316 Grade)
- Temperature Range** -60°C / +260°C.
- Material** PTFE to :‘ASTM D4895, TYPE 1, GRADE 4, CLASS B’ & ‘ASTM D4895, TYPE 1, GRADE 3, CLASS B’.

The vacuum wire, SS 304 / 316 braid gives vacuum resistance and higher pressure in applications.

Natural Part No. (GP)	Natural Part No. (AS)	Size (")	ID Nominal (mm)	OD Nominal (mm)	WT (mm)	MBR (mm)	MWP (Bar)	BP (Bar)	Vacuum (mBar)	Weight (kg/m)
PFHC06-GP-VW-SS-34	PFHC-06-AS-VW-SS-34	1/4	7.00	12.68	0.76	18.00	60.00	180.00	744.00	0.09
PFHC10-GP-VW-SS-34	PFHC-10-AS-VW-SS-34	3/8	9.65	15.95	0.76	25.00	50.00	150.00	744.00	0.13
PFHC12-GP-VW-SS-34	PFHC12-AS-VW-SS-34	1/2	13.08	18.90	0.89	40.00	45.00	135.00	887.00	0.15
PFHC16-GP-VW-SS-34	PFHC16-AS-VW-SS-34	5/8	16.00	22.85	0.89	50.00	40.00	120.00	887.00	0.17
PFHC20-GP-VW-SS-34	PFHC20-AS-VW-SS-34	3/4	19.00	27.40	1.00	60.00	40.00	120.00	887.00	0.40
PFHC25-GP-VW-SS-34	PFHC25-AS-VW-SS-34	1.00	25.40	36.00	1.20	80.00	35.00	105.00	887.00	0.55
PFHC32-GP-VW-SS-34	PFHC32-AS-VW-SS-34	1.25	31.00	42.00	1.20	100.00	35.00	105.00	887.00	0.69
PFHC40-GP-VW-SS-34	PFHC40-AS-VW-SS-34	1.50	35.50	46.00	1.60	120.00	35.00	105.00	887.00	1.12
PFHC45-GP-VW-SS-34	PFHC45-AS-VW-SS-34	1.75	44.00	56.00	1.60	135.00	25.00	75.00	887.00	1.66
PFHC50-GP-VW-SS-34	PFHC50-AS-VW-SS-34	2.00	47.50	59.50	1.60	165.00	25.00	75.00	887.00	1.72
PFHC65-GP-VW-SS-34	PFHC65-AS-VW-SS-34	2.50	60.25	77.25	1.60	230.00	14.00	42.00	887.00	2.15
PFHC80-GP-VW-SS-34	PFHC80-AS-VW-SS-34	3.00	74.00	93.00	1.60	260.00	12.00	36.00	887.00	3.32
PFHC100-GP-VW-SS-34	PFHC100-AS-VW-SS-34	4.00	98.00	122.30	1.82	300.00	10.00	30.00	887.00	4.06
PFHC150-GP-VW-SS-34	PFHC150-AS-VW-SS-34	6.00	152.00	182.00	2.50	520.00	6.00	18.00	455.00	6.01

# HC Series PTFE Hose w Vacuum Wire & Polypropylene Braid

## HC - VW/PB



**Design** Heavy wall convoluted PTFE tube with Polypropylene braid - BLUE, WHITE & YELLOW.

**Inner Layer** Natural (GP) or Anti-static (AS) helically convoluted heavy wall PTFE tube.

**Outer Layer** Polypropylene braid - BLUE, WHITE & YELLOW.

**Temperature Range** -60°C / +90°C.

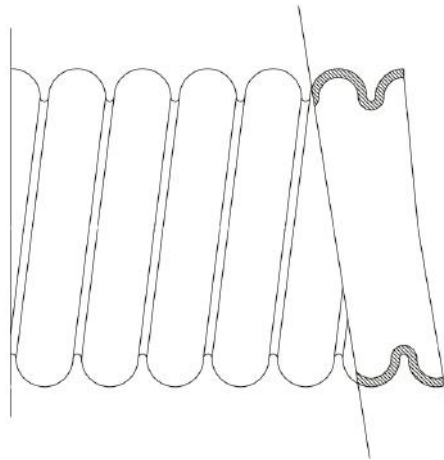
**Material** PTFE to : 'ASTM D4895, TYPE 1, GRADE 4, CLASS B' & 'ASTM D4895, TYPE 1, GRADE 3, CLASS B'.

The vacuum wire and Polypropylene Braid is ideal for when the application requires low pressure and or a lighter weight hose or if the media being transferred is not compatible with SS 304/316 braid.

Natural Part No. (GP)	Natural Part No. (AS)	Size (")	ID Nominal (mm)	OD Nominal (mm)	WT (mm)	MBR (mm)	MWP (Bar)	BP (Bar)	Vacuum (mBar)	Weight (kg/m)
PFHC12-GP-VW-PB	PFHC12-AS-VW-PB	1/2	13.08	21.90	0.89	40.00	10.00	40.00	887.00	0.14
PFHC16-GP-VW-PB	PFHC16-AS-VW-PB	5/8	16.00	25.85	0.89	50.00	10.00	40.00	887.00	0.25
PFHC20-GP-VW-PB	PFHC20-AS-VW-PB	3/4	19.00	30.40	1.00	60.00	10.00	40.00	887.00	0.35
PFHC25-GP-VW-PB	PFHC25-AS-VW-PB	1.00	25.40	40.00	1.20	80.00	10.00	40.00	887.00	0.47
PFHC32-GP-VW-PB	PFHC32-AS-VW-PB	1.25	31.00	46.00	1.20	100.00	10.00	40.00	887.00	0.58
PFHC40-GP-VW-PB	PFHC40-AS-VW-PB	1.50	35.50	50.00	1.60	120.00	10.00	40.00	887.00	0.72
PFHC45-GP-VW-PB	PFHC45-AS-VW-PB	1.75	44.00	61.00	1.60	135.00	10.00	40.00	887.00	1.06
PFHC50-GP-VW-PB	PFHC50-AS-VW-PB	2.00	47.50	65.50	1.60	165.00	10.00	40.00	887.00	1.16
PFHC65-GP-VW-PB	PFHC65-AS-VW-PB	2.50	60.25	87.25	1.60	230.00	10.00	40.00	887.00	2.15
PFHC80-GP-VW-PB	PFHC80-AS-VW-PB	3.00	74.00	99.00	1.60	260.00	7.00	28.00	887.00	3.32
PFHC100-GP-VW-PB	PFHC100-AS-VW-PB	4.00	98.00	133.30	1.82	300.00	6.00	24.00	887.00	4.67

# HC Series PTFE Hose

## HC - TO

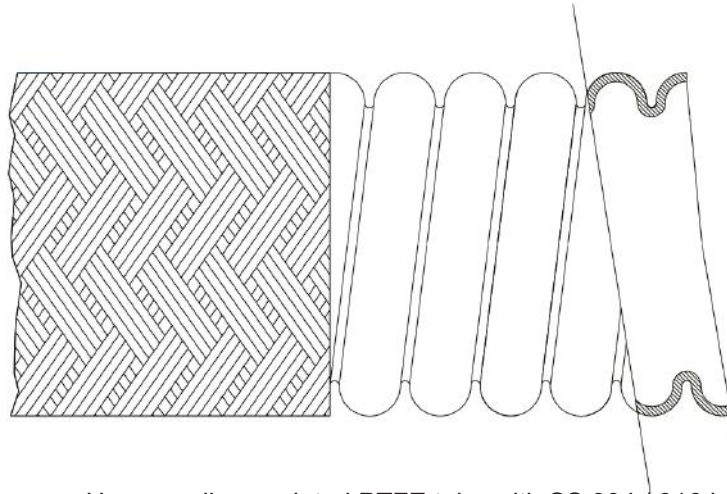


- Design** Heavy wall convoluted PTFE tube.
- Inner Layer** Natural (GP) or Anti-static (AS) helically convoluted heavy wall PTFE tube.
- Outer Layer** N/A.
- Temperature Range** -60°C / +260°C.
- Material** PTFE to :‘ASTM D4895, TYPE 1, GRADE 4, CLASS B’ & ‘ASTM D4895, TYPE 1, GRADE 3, CLASS B’.

Natural Part No. (GP)	Natural Part No. (AS)	Size (")	ID Nominal (mm)	OD Nominal (mm)	WT (mm)	MBR (mm)	MWP (Bar)	BP (Bar)	Vacuum (mBar)	Weight (kg/m)
PFHC06-GP-TO	PFHC-06-AS-TO	1/4	7.00	11.68	0.76	18.00	4.00	16.00	744.00	0.05
PFHC10-GP-TO	PFHC-10-AS-TO	3/8	9.65	14.95	0.76	25.00	4.00	16.00	744.00	0.06
PFHC12-GP-TO	PFHC12-AS-TO	1/2	13.08	17.90	0.89	40.00	4.00	16.00	887.00	0.07
PFHC16-GP-TO	PFHC16-AS-TO	5/8	16.00	21.85	0.89	50.00	3.00	12.00	887.00	0.10
PFHC20-GP-TO	PFHC20-AS-TO	3/4	19.00	26.40	1.00	60.00	3.00	12.00	887.00	0.14
PFHC25-GP-TO	PFHC25-AS-TO	1.00	25.40	35.00	1.20	80.00	3.00	12.00	887.00	0.19
PFHC32-GP-TO	PFHC32-AS-TO	1.25	31.00	41.00	1.20	100.00	2.50	10.00	887.00	0.26
PFHC40-GP-TO	PFHC40-AS-TO	1.50	35.50	45.00	1.60	120.00	2.50	10.00	887.00	0.38
PFHC45-GP-TO	PFHC45-AS-TO	1.75	44.00	55.00	1.60	135.00	2.00	8.00	887.00	0.46
PFHC50-GP-TO	PFHC50-AS-TO	2.00	47.50	58.50	1.60	165.00	2.00	8.00	887.00	0.52
PFHC65-GP-TO	PFHC65-AS-TO	2.50	60.25	76.25	1.60	230.00	1.50	6.00	887.00	0.65
PFHC80-GP-TO	PFHC80-AS-TO	3.00	74.00	92.00	1.60	260.00	1.25	5.00	887.00	0.77
PFHC100-GP-TO	PFHC100-AS-TO	4.00	98.00	121.30	1.82	300.00	1.00	4.00	887.00	1.31
PFHC150-GP-TO	PFHC150-AS-TO	6.00	152.00	181.00	2.50	520.00	1.00	4.00	455.00	3.60

# HC Series PTFE Hose w Stainless Steel Braid

## HC - SS



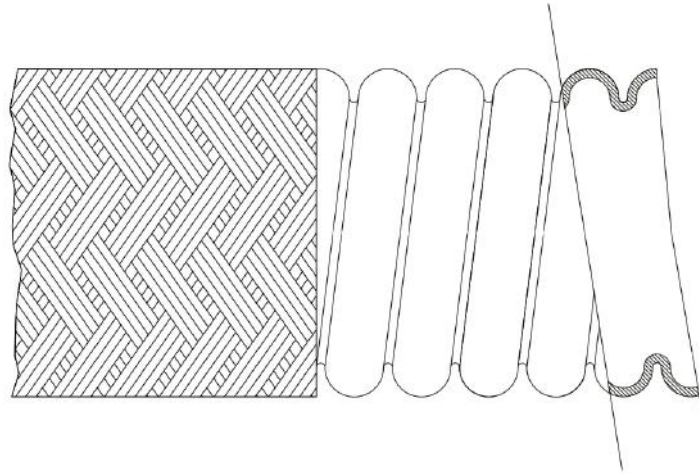
- Design** Heavy wall convoluted PTFE tube with SS 304 / 316 braid.
- Inner Layer** Natural (GP) or Anti-static (AS) helically convoluted heavy wall PTFE tube.
- Outer Layer** SS 304 / 316 braid.  
(34 = Stainless Steel 304 Grade / 36 = Stainless Steel 316 Grade)
- Temperature Range** -60°C / +260°C.
- Material** PTFE to : 'ASTM D4895, TYPE 1, GRADE 4, CLASS B' & 'ASTM D4895, TYPE 1, GRADE 3, CLASS B'.

When the application is of higher pressure then a Stainless Steel Braid would be required.

Natural Part No. (GP)	Natural Part No. (AS)	Size (")	ID Nominal (mm)	OD Nominal (mm)	WT (mm)	MBR (mm)	MWP (Bar)	BP (Bar)	Vacuum (mBar)	Weight (kg/m)
PFHC06-GP-SS-34	PFHC06-AS-SS-34	1/4	7.00	12.68	0.76	18.00	60.00	180.00	744.00	0.08
PFHC10-GP-SS-34	PFHC10-AS-SS-34	3/8	9.65	15.95	0.76	25.00	50.00	150.00	744.00	0.12
PFHC12-GP-SS-34	PFHC12-AS-SS-34	1/2	13.08	18.90	0.89	40.00	45.00	135.00	887.00	0.14
PFHC16-GP-SS-34	PFHC16-AS-SS-34	5/8	16.00	22.85	0.89	50.00	40.00	120.00	887.00	0.16
PFHC20-GP-SS-34	PFHC20-AS-SS-34	3/4	19.00	27.40	1.00	60.00	40.00	120.00	887.00	0.39
PFHC25-GP-SS-34	PFHC25-AS-SS-34	1.00	25.40	36.00	1.20	80.00	35.00	105.00	887.00	0.54
PFHC32-GP-SS-34	PFHC32-AS-SS-34	1.25	31.00	42.00	1.20	100.00	35.00	105.00	887.00	0.68
PFHC40-GP-SS-34	PFHC40-AS-SS-34	1.50	35.50	46.00	1.60	120.00	35.00	105.00	887.00	1.11
PFHC45-GP-SS-34	PFHC45-AS-SS-34	1.75	44.00	56.00	1.60	135.00	25.00	75.00	887.00	1.65
PFHC50-GP-SS-34	PFHC50-AS-SS-34	2.00	47.50	59.50	1.60	165.00	25.00	75.00	887.00	1.71
PFHC65-GP-SS-34	PFHC65-AS-SS-34	2.50	60.25	77.25	1.60	230.00	14.00	42.00	887.00	2.14
PFHC80-GP-SS-34	PFHC80-AS-SS-34	3.00	74.00	93.00	1.60	260.00	12.00	36.00	887.00	3.31
PFHC100-GP-SS-34	PFHC100-AS-SS-34	4.00	98.00	122.30	1.82	300.00	10.00	30.00	887.00	4.05
PFHC150-GP-SS-34	PFHC150-AS-SS-34	6.00	152.00	182.00	2.50	520.00	6.00	18.00	455.00	6.00

# HC Series PTFE Hose w Polypropylene Braid

## HC - PB



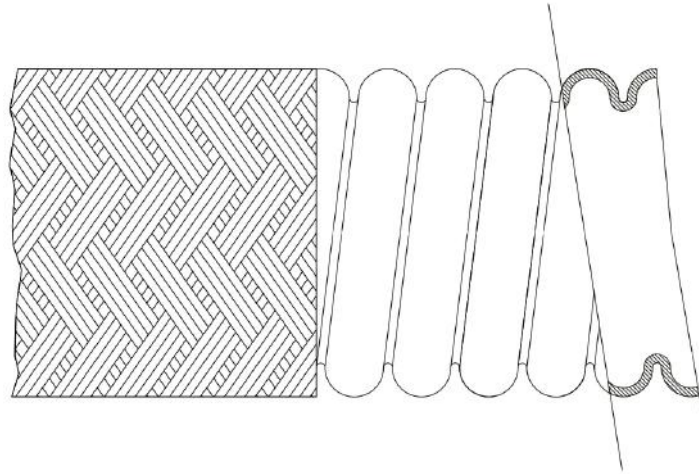
- Design** Heavy wall convoluted PTFE tube with Polypropylene braid - BLUE, WHITE & YELLOW.
- Inner Layer** Natural (GP) or Anti-static (AS) helically convoluted heavy wall PTFE tube.
- Outer Layer** Polypropylene braid - BLUE, WHITE & YELLOW.
- Temperature Range** -60°C / +90°C.
- Material** PTFE to :‘ASTM D4895, TYPE 1, GRADE 4, CLASS B’ & ‘ASTM D4895, TYPE 1, GRADE 3, CLASS B’.

Polypropylene Braid is ideal for when the application requires low pressure and/or a lighter weight hose or if the media being transferred is not compatible with SS 304 / 316 braid.

Natural Part No. (GP)	Natural Part No. (AS)	Size (")	ID Nominal (mm)	OD Nominal (mm)	WT (mm)	MBR (mm)	MWP (Bar)	BP (Bar)	Vacuum (mBar)	Weight (kg/m)
PFHC12-GP-PB	PFHC12-AS-PB	1/2	13.08	21.90	0.89	40.00	10.00	40.00	887.00	0.13
PFHC16-GP-PB	PFHC16-AS-PB	5/8	16.00	25.85	0.89	50.00	10.00	40.00	887.00	0.24
PFHC20-GP-PB	PFHC20-AS-PB	3/4	19.00	30.40	1.00	60.00	10.00	40.00	887.00	0.34
PFHC25-GP-PB	PFHC25-AS-PB	1.00	25.40	40.00	1.20	80.00	10.00	40.00	887.00	0.46
PFHC32-GP-PB	PFHC32-AS-PB	1.25	31.00	46.00	1.20	100.00	10.00	40.00	887.00	0.57
PFHC40-GP-PB	PFHC40-AS-PB	1.50	35.50	50.00	1.60	120.00	10.00	40.00	887.00	0.71
PFHC45-GP-PB	PFHC45-AS-PB	1.75	44.00	61.00	1.60	135.00	10.00	40.00	887.00	1.05
PFHC50-GP-PB	PFHC50-AS-PB	2.00	47.50	65.50	1.60	165.00	10.00	40.00	887.00	1.15
PFHC65-GP-PB	PFHC65-AS-PB	1.50	60.25	87.25	1.60	230.00	10.00	40.00	887.00	2.14
PFHC80-GP-PB	PFHC80-AS-PB	3.00	74.00	99.00	1.60	260.00	7.00	28.00	887.00	3.31
PFHC100-GP-PB	PFHC100-AS-PB	4.00	98.00	133.30	1.82	300.00	6.00	24.00	887.00	4.66

# HC Series PTFE Hose w Kynar Braid

## HC - KB



<b>Design</b>	Heavy wall convoluted PTFE tube with Kynar (PVDF) braid - WHITE.
<b>Inner Layer</b>	Natural (GP) or Anti-static (AS) helically convoluted heavy wall PTFE tube.
<b>Outer Layer</b>	Kynar (PVDF) braid - WHITE.
<b>Temperature Range</b>	-70°C / +150°C.
<b>Material</b>	PTFE to :‘ASTM D4895, TYPE 1, GRADE 4, CLASS B’ & ‘ASTM D4895, TYPE 1, GRADE 3, CLASS B’.

Kynar (PVDF) braid is ideal for when the application requires low pressure and/or lighter weight hose or if the media being transferred is not compatible with SS 304 / 316 braid.

Natural Part No. (GP)	Natural Part No. (AS)	Size (")	ID Nominal (mm)	OD Nominal (mm)	WT (mm)	MBR (mm)	MWP (Bar)	BP (Bar)	Vacuum (mBar)	Weight (kg/m)
PFHC12-GP-KB	PFHC12-AS-KB	1/2	13.08	21.90	0.89	40.00	10.00	40.00	887.00	0.13
PFHC16-GP-KB	PFHC16-AS-KB	5/8	16.00	25.85	0.89	50.00	10.00	40.00	887.00	0.24
PFHC20-GP-KB	PFHC20-AS-KB	3/4	19.00	30.40	1.00	60.00	10.00	40.00	887.00	0.34
PFHC25-GP-KB	PFHC25-AS-KB	1.00	25.40	40.00	1.20	80.00	10.00	40.00	887.00	0.46
PFHC32-GP-KB	PFHC32-AS-KB	1.25	31.00	46.00	1.20	100.00	10.00	40.00	887.00	0.57
PFHC40-GP-KB	PFHC40-AS-KB	1.50	35.50	50.00	1.60	120.00	10.00	40.00	887.00	0.71
PFHC45-GP-KB	PFHC45-AS-KB	1.75	44.00	61.00	1.60	135.00	10.00	40.00	887.00	1.05
PFHC50-GP-KB	PFHC50-AS-KB	2.00	47.50	65.50	1.60	165.00	10.00	40.00	887.00	1.15
PFHC65-GP-KB	PFHC65-AS-KB	1.50	60.25	87.25	1.60	230.00	10.00	40.00	887.00	2.14
PFHC80-GP-KB	PFHC80-AS-KB	3.00	74.00	99.00	1.60	260.00	7.00	28.00	887.00	3.31
PFHC100-GP-KB	PFHC100-AS-KB	4.00	98.00	133.30	1.82	300.00	6.00	24.00	887.00	4.66



**neu**INDUSTRIES  
SAFER • CLEANER • BETTER



+65 6817 8969  
+65 9820 9495  
+65 6636 9813  
[sales@neuindustries.com](mailto:sales@neuindustries.com)



**NEU Industries Pte Ltd**  
132 Joo Seng Rd, #04-01  
Singapore 368358  
[www.neuindustries.com](http://www.neuindustries.com)



Unit 1, Bridge Business Park,  
Colne Bridge, Huddersfield  
HD5 0RH

Rev1(1024)