



**neuINDUSTRIES**  
SAFER • CLEANER • BETTER

# SINGLE-USE COMPONENTS AND ASSEMBLIES

*Your all-in-one partner for biopharmaceutical solutions*



**GMP**<sub>TEC</sub>

# OUR CAPABILITIES

We offer a comprehensive range of components and systems for the production of high-quality pharmaceuticals, diagnostics, and chemical products. With a strong focus on biotechnology, our single-use technologies meet the **highest cGMP standards**.

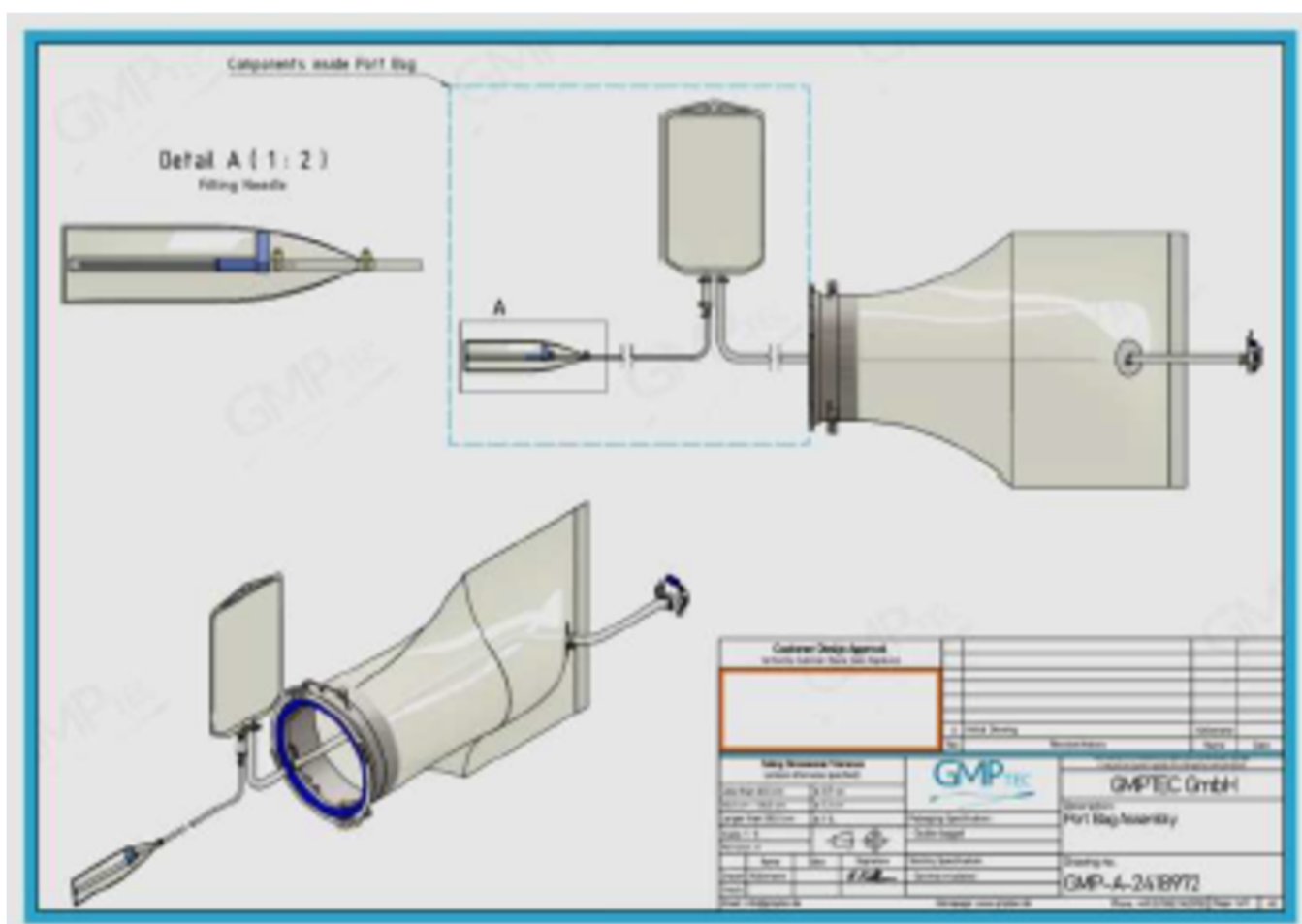
Our expertise extends to **customized assemblies**, where we guide you through every stage of development – from the first draft to a competitive offer – all completely free-of-charge for you.

- **Rapid Prototyping:** Get your technical drawings within 2-3 days, keeping your projects on the fast track.
- **Flexible Sourcing:** With access to a vast network of manufacturers, we find the perfect solution for you without being limited by a single supplier.
- **Expert in Single-Use Technology:** Our extensive knowledge in single-use technology ensures you get cutting-edge solutions tailored to your specific needs.

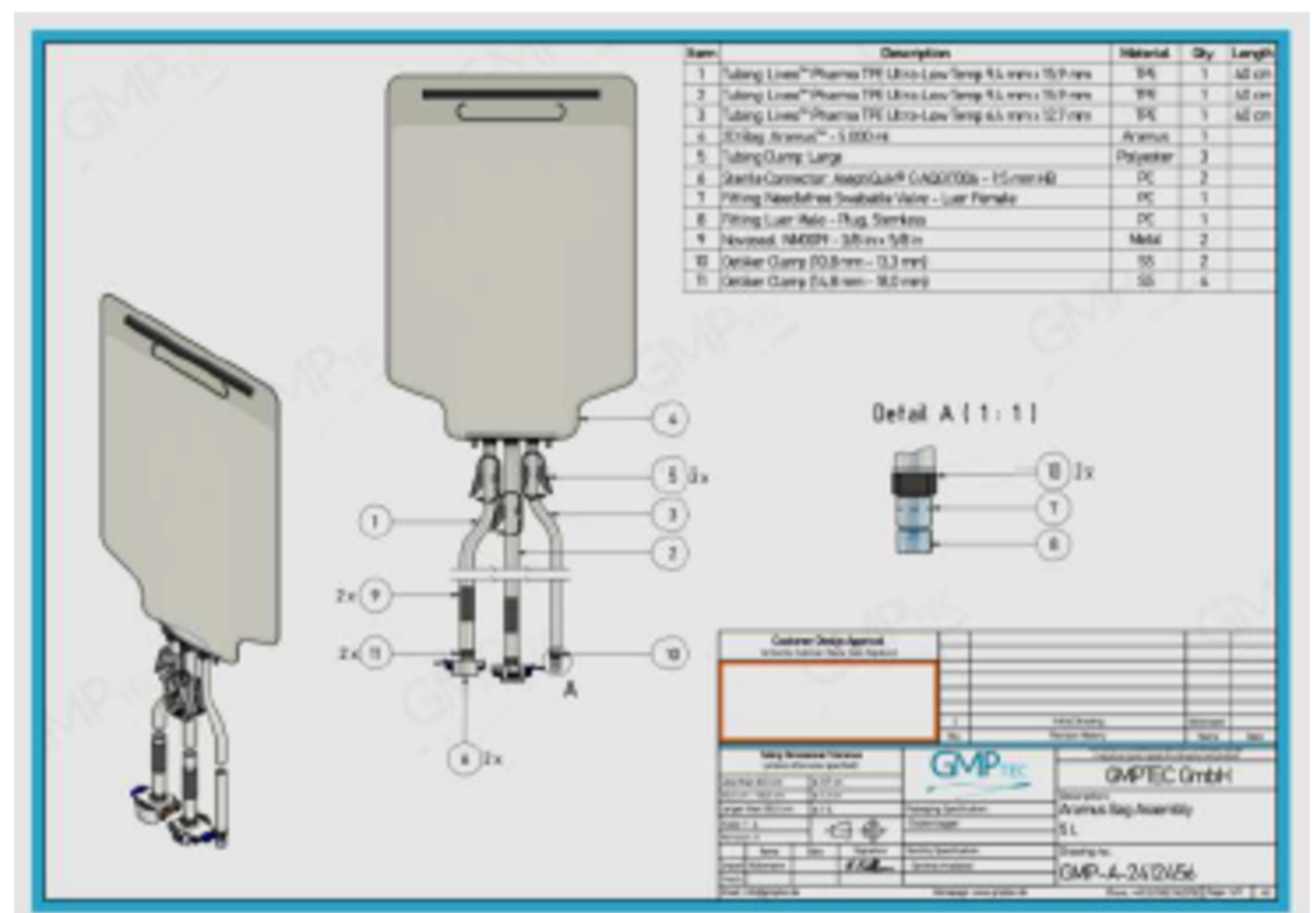
From concept to production, we are your **all-in-one partner** for seamless, customized biotech innovations. Your success is our priority.

## Technical Drawings

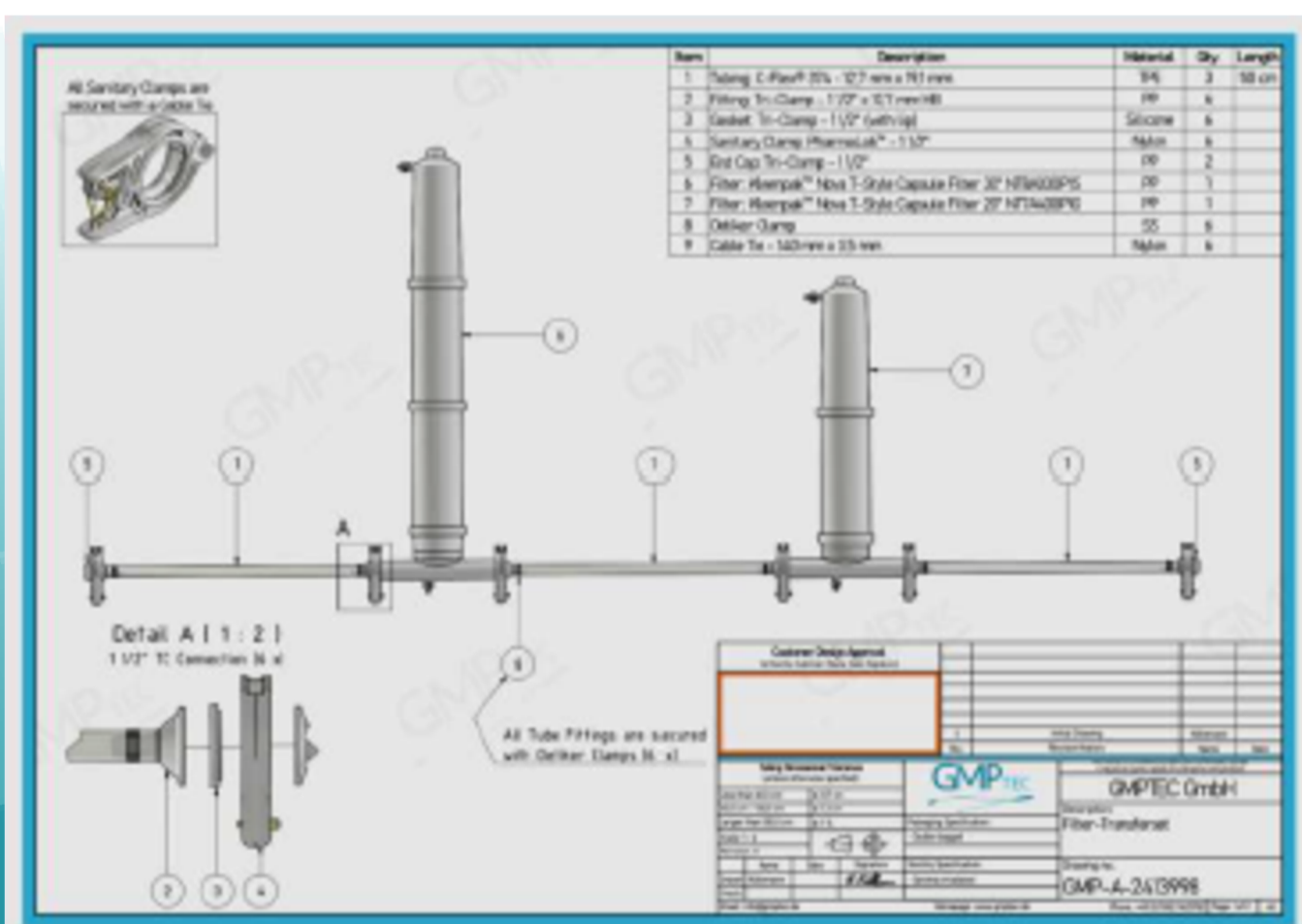
Bag / Port assemblies



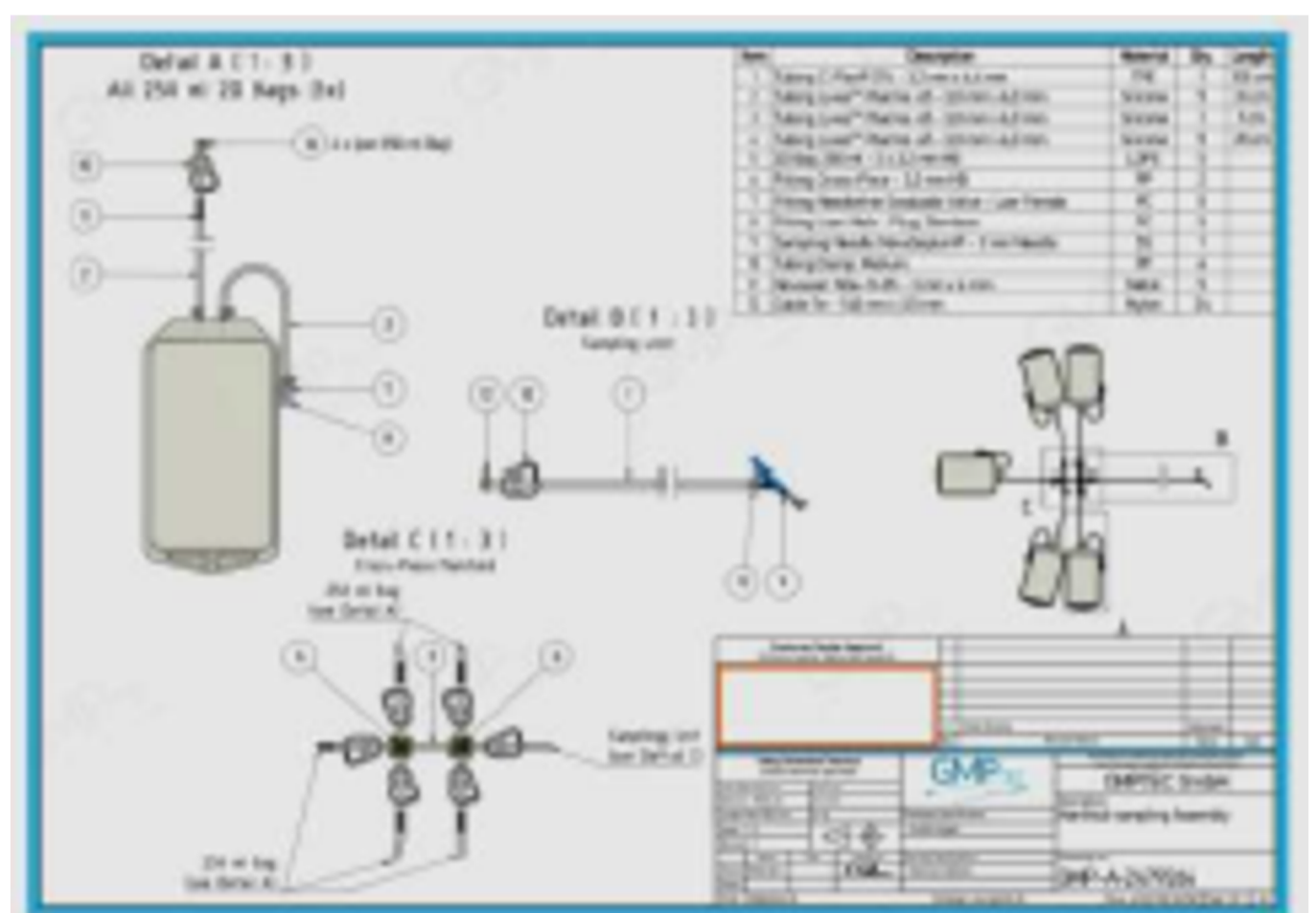
Freeze bag assemblies



Filtration / PUPSIT assemblies



Sampling assemblies



## Assemblies

Freeze bag assemblies • 2D & 3D bag assemblies • Port assemblies



Bottle assemblies • Tubing assemblies • Pooling manifolds



## Tubing

PFA reinforced • Silicone braided • Assembled hoses • Silicone tubing • Pump tubing • FEP transparent



## Plastic Fittings

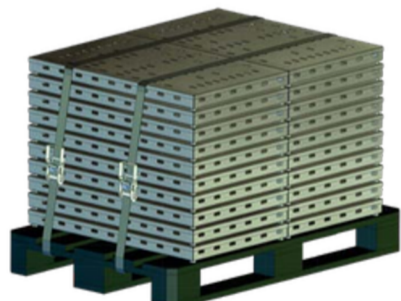
Sanitary clamps • Tubing pinch clamps • MicroCNX sterile connectors • Sanitary & tubing fittings



Steam-thru connectors • AseptiQuik sterile connectors • MPC / MPX quick couplers



## Freeze & Transport Shells



## Filters

Disc filters • Capsule filters



## Gaskets & Diaphragms

Plate & screen gaskets • Sanitary gaskets • O-rings & dairy gaskets • Diaphragms



# CellGTec Shell

Our CELLGTEC Shell is an innovative metal cassette designed to **safely store and transport cell and gene therapeutics**, as well as other liquid pharmaceuticals.

It is built to **withstand extreme freezing temperatures of -85°C and below**, making it ideal for cold storage of vaccines and dry ice transportation.

## Specifications

- **Materials:** Electropolished stainless steel.
- **Surface:** Smooth with no sharp edges to prevent bag damage.
- **Types:** Perforated designs with slotted holes, flat design for plate freezers, closed housing.
- **Customizable for bag assembly sizes:** 5mL, 50mL, 100mL, 250mL, 500mL, 1L, 2L, and other sizes on request.

## Key Features

- **Environmentally friendly:** Reusable design with no need for disposable cassettes and additional foam inserts.
- **Reduces exposure time:** Multiple cassettes can be stacked and transported together.
- **Labeling:** Optional laser marking with QR codes or item numbers.
- **Air circulation and freezing efficiency:** Optional perforated designs with slotted holes.
- **Easy closure:** Hinge with latching function and seal.
- **Integrated elements:** Protect bags and tubes of damaged through movement and vibrations.
- **Security:** Specially developed inner shapes to fix the bag, tubes and connectors in place.
- **GMP-compliant:** Meets the requirements for use in GMP environments.



### NEU Industries Pte Ltd

132 Joo Seng Rd, #04-01, Singapore 368358

Tel: +65 6817 8969 | Fax: +65 6636 9813

sales@neuindustries.com

www.neuindustries.com

