



Stephen H Comfort 7.0

Multifunctional chair



SEATING

Frequent Usage

Multifunctional

Infusion therapy

Oncology

Day Hospital

Blood Donation

Blood Sample

Emergency Room

Dialysis

Patient transport

Dermatology/
Cosmetics



High
COMFORT

Inpatient and outpatient therapy



www.neuindustries.com



Optimized accommodation

The device is equipped with a push-button panel for the management of electrical controls to optimize the patient's posture and comfort. In addition, thanks to an advanced geometric solution, the "leg section," when placed vertically (90°), disappears under the seat. This allows the patient to sit in the chair with his or her lower limbs perfectly perpendicular to the seat itself with every consequent postural advantage that comes with it. Therefore, all patients, even those with motor difficulties, will be able to easily sit and stand up from the chair, even frontally, assuming correct posture at all times.

BACK SECTION MOVEMENT



LEG SECTION MOVEMENT



As the illustration shows, the system of the retractable leg section is appreciated.

.....
Given the absence of protrusions from the seat, the device allows the patient to be able to sit in complete safety.





Footrests

The device is equipped with special footrests, which can be removed if necessary. Removal of the footrest footplates is extremely simple, since it will be necessary to manually remove the tubular from the housing in which it is inserted. Two images are shown below: the first represents the device with the footrest footplates inserted, in the second the device is without footrests.



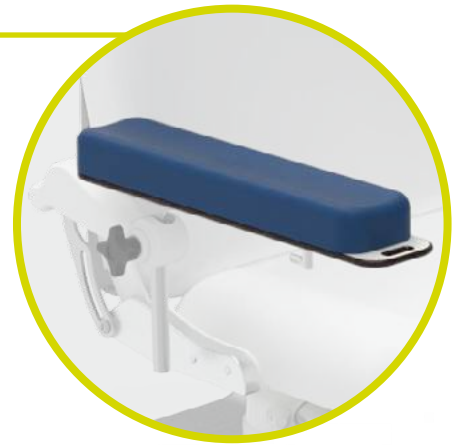
Adjustment of footrests

The footrests can be adjusted according to the patient's needs; they can be tilted vertically so as to facilitate entry for accommodation. In addition, the mechanism allows them to be further moved by externally rotating the footrests clockwise and counterclockwise.



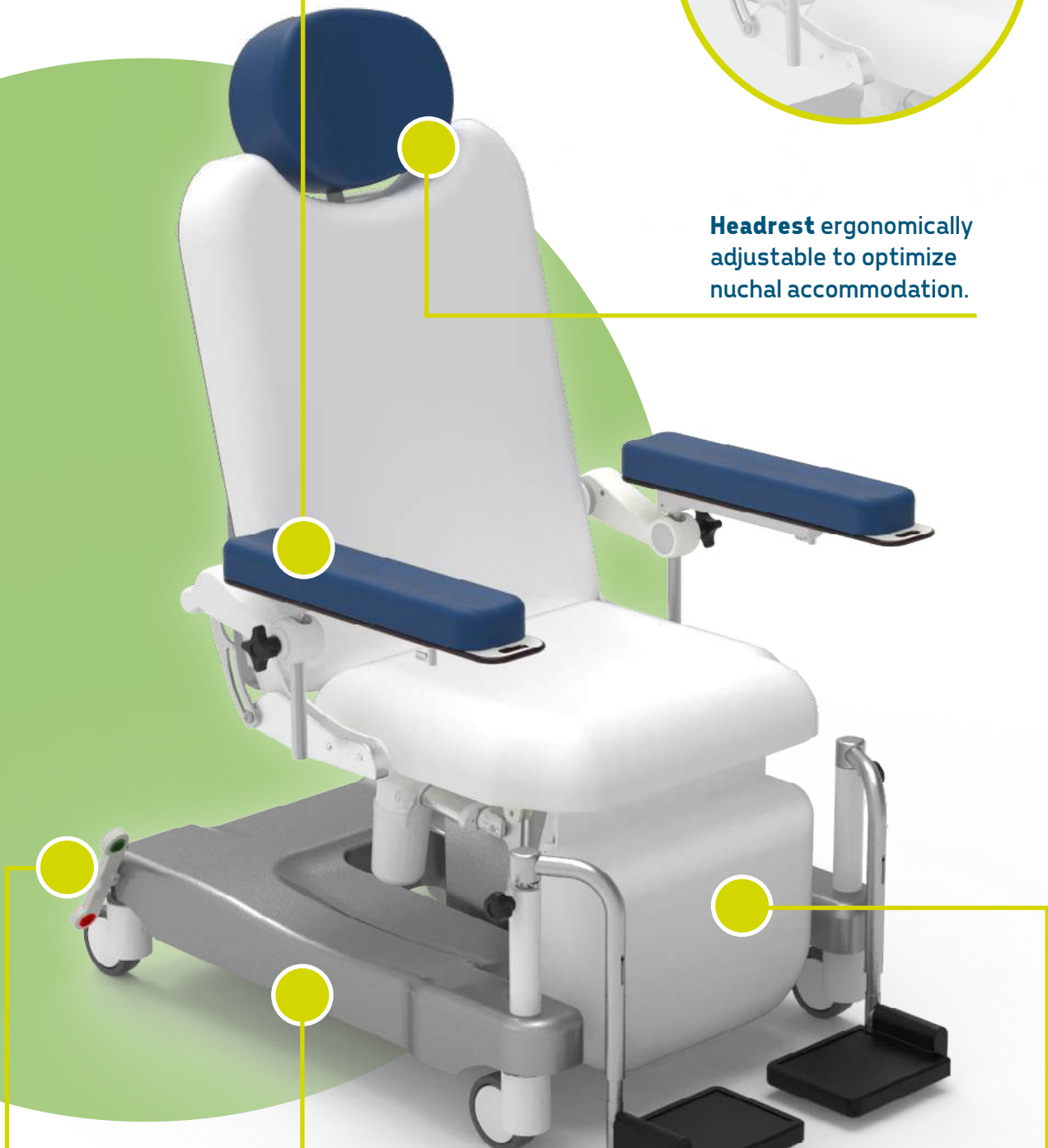
Braking mechanism

Already equipped with a foot pedal-operated braking system, the device also has an automatic locking and unlocking mechanism that allows the patient to safely exit. Locking is operated by the pressure exerted by the feet on the footplates. The same, upon contact with the floor surface, brake the device allowing the safe exit of the patient.



Multi-adjustable ergonomic armrests with hand control support.

Headrest ergonomically adjustable to optimize nuchal accommodation.



Wheels with braking system activated by bilateral levers.

Base-protecting covers made of ABS, with smooth surface and easily sanitized.

Leg section at 90° to the seat.

Footrests ergonomic to facilitate patient accommodation.



Multi-adjustable armrests

Armrests ergonomic armrests equipped with special manual multiple adjustment mechanism for positioning in multiple directions. In addition, the support placed bilaterally on the armrests (equipment code AC25P) allows convenient storage of the hand control when not in use.



Synchronized with the backrest



Swivable



Height adjustable



Removable



Tiltable



Overturnable



Sliding horizontally



Movements

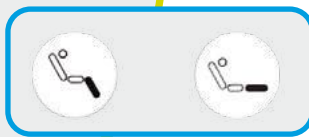
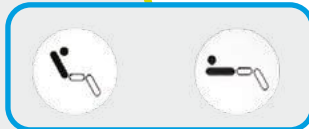
Independent back and leg sections

Independent movements of the back and leg sections are controlled by dedicated buttons on the hand control.



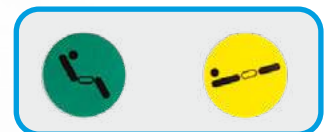
Activation by

Handset



Simultaneous movements

of the back and leg sections are controlled thanks to memory buttons on the handset.





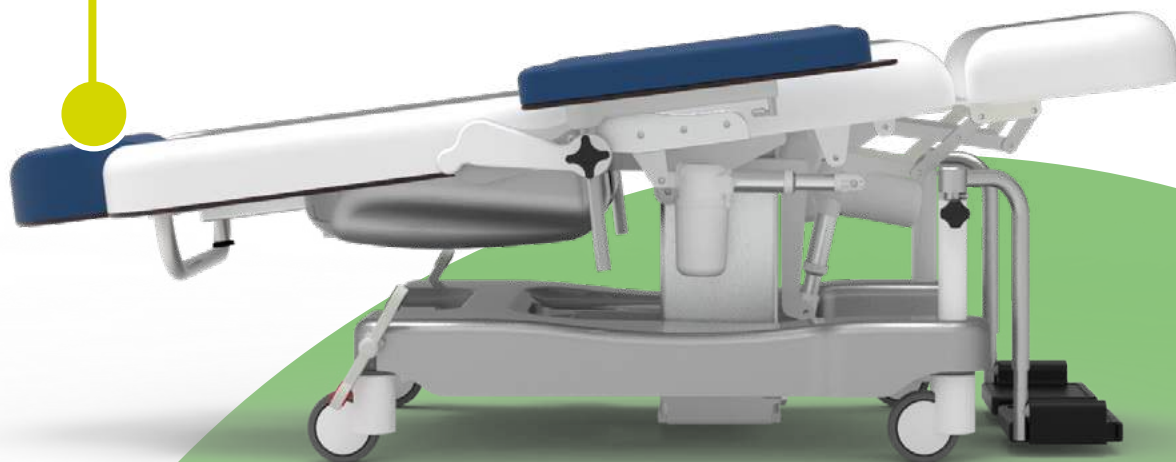
Movements

Trendelenburg

The Trendelenburg position can be obtained at the dedicated button on the hand control.

Activation by

Handset



Variable height

Another example of movement





Other features of the medical device

- Antibacterial thermoset powder coated steel frame with wide assortment of colors.
- Top divided into 4 sections: headrest, backrest, seat and legs.
- Motorized Trendelenburg - Equipment code AC35/1.
- Variable height adjustment - Equipment code AC28/200-400.
- By means of two dedicated motors, the back and leg sections can be adjusted independently and simultaneously - Equipment code AC12.
- Leg section: 90° to the seat - Equipment code AC63.
- The armrests are padded and upholstered in soft fabric. Thanks to a special clamp, they are: integral and synchronous to the movement of the backrest, swivel, adjustable in height, removable, tilt up/down, horizontally sliding - Equipment code AC30/C5 - Armrest length 515 mm, armrest width 105 mm.
- Height-adjustable headrest.
- Upholstery in leatherette class 11M, material sanitizable with commonly used detergents and medical surgical aids, with antibacterial, antifungal, stain-resistant properties. Color customization upon request - Equipment code AC87/1.
- No. 4 durable, antistatic, stainless, swivel wheels Ø 100 mm.
- Simultaneous brake galvanized steel rear wheels - Equipment code AC1P2G.
- Swivel footrest integrated with the chair, with automatic braking system - Equipment code AC153.
- All chair movements are controlled by a perimeter hand control equipped with a 3.5 m coiled cable. The hand control is easy to use as it is made with large raised pictograms and is also suitable for visually impaired patients. The hand control is equipped with 10 keys with 2 memories. For patient safety, the hand control is equipped with a key for control inhibition - Equipment code AC34P. IP66 insulation.
- Push handle on backrest - Equipment code AC56/C.
- Accommodation placed at the front on the armrests for push-button panel - Equipment code AC25P.
- Cushions made of soft foam.
- ABS cover for the base - Equipment code AC83
- ABS backrest cover - Equipment code AC86C.

Do you want to change the color of the upholstery and frame?

Frame or click the QR codes and find out how to customize your device by browsing our color cards*.

*If no preference is expressed, the device will be supplied with the available color.



Upholstery
Leatherette



Upholstery
Silicon

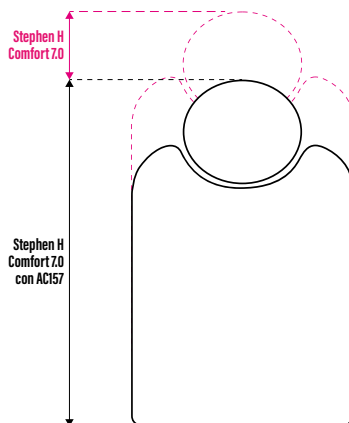


Frame



Accessories

AC157



The Stephen H Comfort 7.0 chair can be equipped with 3D headrests with multiple articulations and micro-adjustments. It accommodates eight different nuchal supports, which are interchangeable via quick magnetic engagement. The backrest that accommodates the AC157 accessory has small dimensions.

All headrests are: interchangeable, tiltable, height adjustable and removable.



Accessories

ACS1



Occipital wrap-around headrest
(Code ACS1P - pediatric version)

ACS2



Wrap-around nuchal headrest
(Code ACS2P - pediatric version)

ACS3



Ergonomic headrest at "X"
(Code ACS3P - pediatric version)



Accessories

ACS4/1



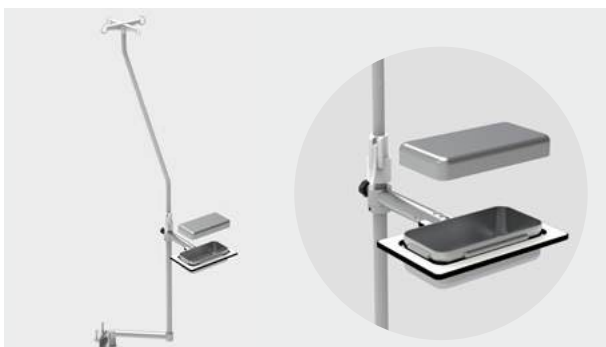
Headrest with nuchal hole, 3D kinematics; bilateral adjustment $\pm 15^\circ$; longitudinal rotation 180° ; height adjustment and nuchal hole with removable insert.

AC4P



Pivoting and height-adjustable hanger rod made of stainless steel. Available with both 2 and 4 hooks.

AC14P

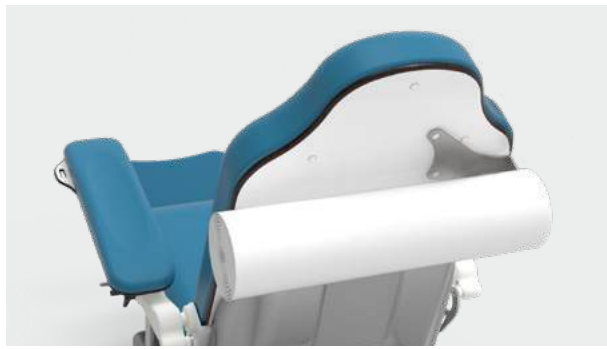


Stainless steel basket on swivel and height-adjustable stand, placed on accessory rod. Dimensions 250x120x60h mm (customizable upon request).



Accessories

AC11/C



Roll holder for Stephen H Comfort Suitable for rolls up to 600 mm ø 140 mm.

AC87



Silicone upholstery. See color chart for availability.



Technical Sheet

CND/EMDN Code	V08020101
GMDN Code	38447
No. progressive/R	2430138/R
UDI-DI di Base	805771740POLPE
ID Product	GB0004.SP-7 Painted steel
Intended Use	Multifunctional chair
Manufacturer	GARDHEN BILANCE SRL
Total weight	Standard 70 kg
Wheels	No. 4 stainless swiveling 100 mm with braking system
Power	100 - 240 Vac 50/60 Hz
Electric motors	Low voltage (24 V)
Max absorption	4A
Insulation	IP44
Max load capacity	Standard 200 kg
Safety working load	Standard 235 kg

Main cord



Type F
Schuko



Type L
16A



Type I
Australia



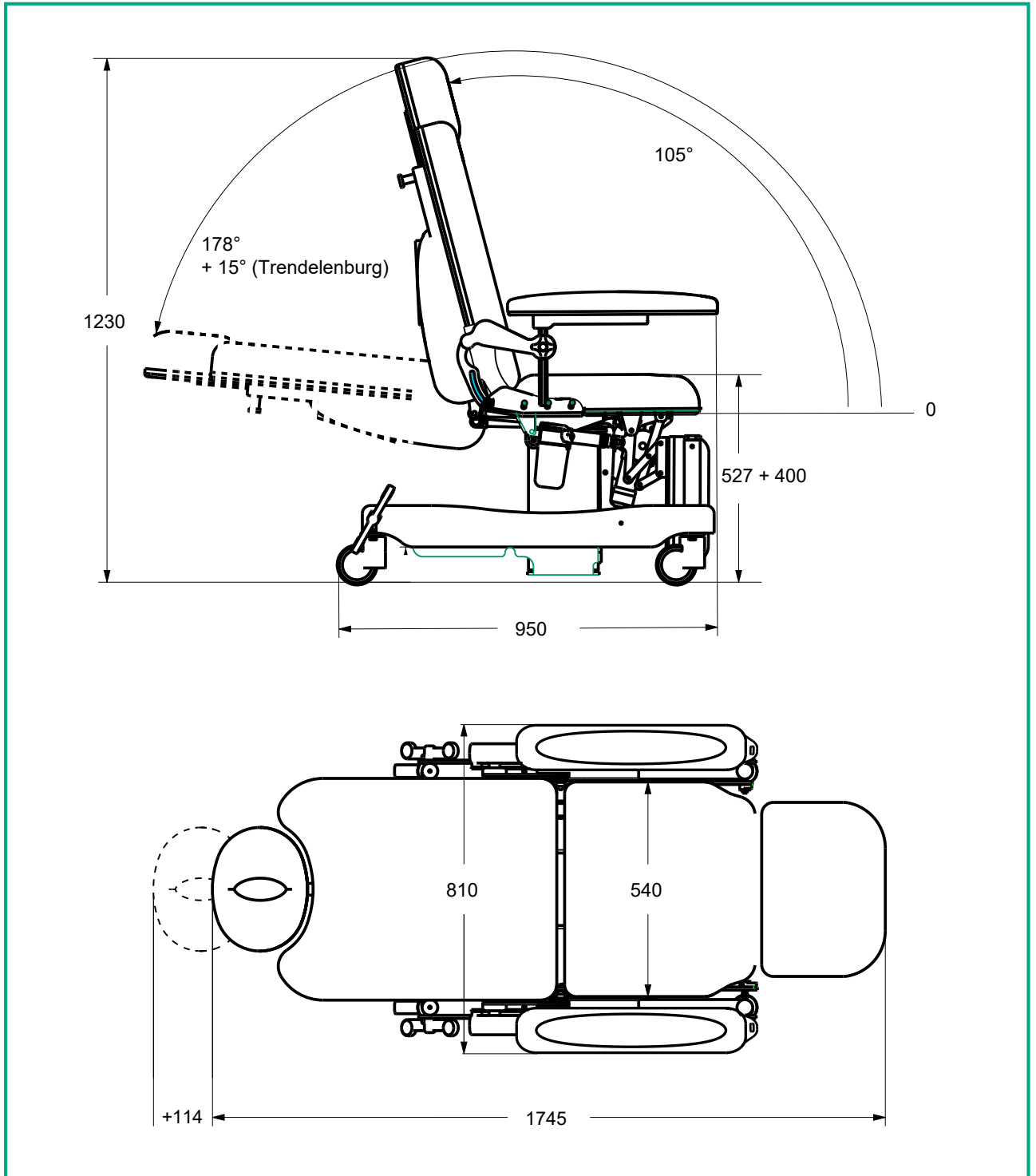
Type B
Canada and USA



Type G
UK plug



Dimensions



NEU Industries Pte Ltd

132 Joo Seng Rd, #04-01, Singapore 368358
Tel: +65 6817 8969 | Fax: +65 6636 9813
www.neuindustries.com | sales@neuindustries.com



Images reproduced in this sheet are purely indicative and dimensional values are nominal. It is the manufacturer's right to make changes to the designs without prior notice. Refer to the accessories catalog and/or commercial proposals for identification of standard equipment and selection of any additional components. In case of discrepant data, the content of the commercial proposals shall prevail.
Dep. EN_72 rev. 17/05/2024